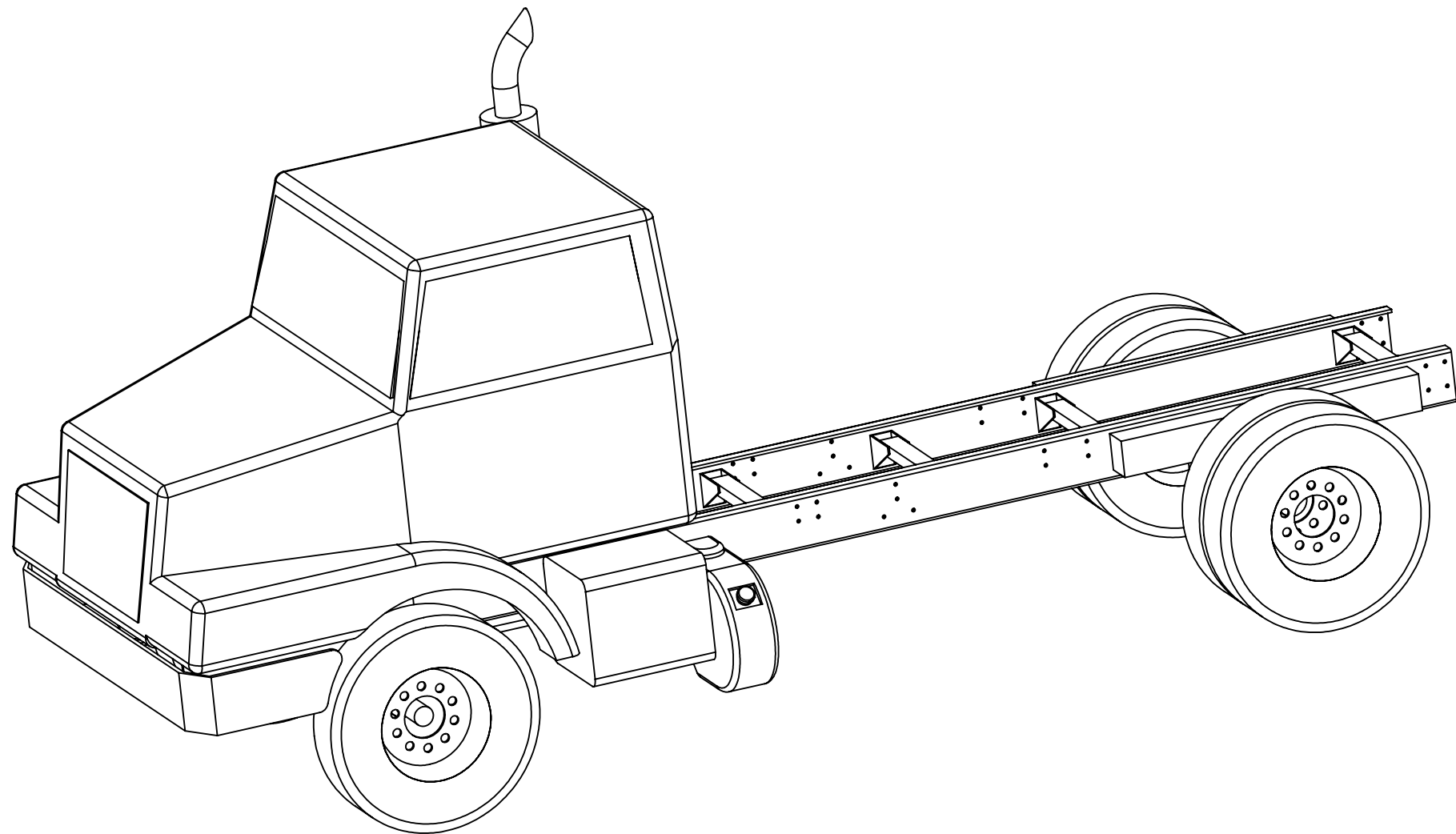



8 7 6 5 4 3 2 1

REVISIONS				
REV #	ECO #	DESCRIPTION	DATE	APPR
		Sh. 7 Added it. 27 - Battery Switch Sh. 7 Added it. 36 - Frame Ground Post		

# 2016 JETTER 540-1620 CHASSIS REQUIRMENTS



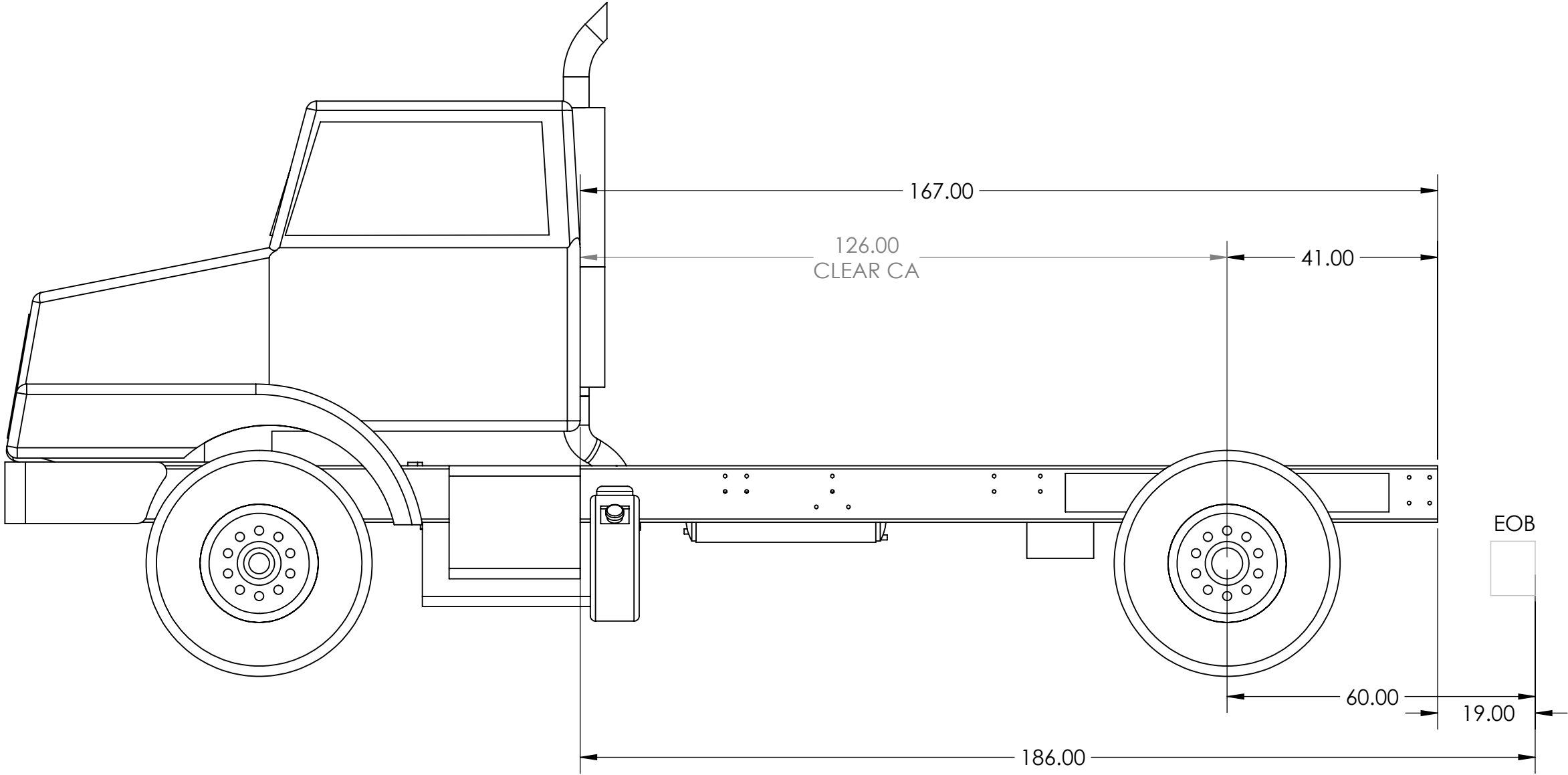
NAME	DATE	
DRAWN BY	06/15/2015	
ENG APPR.		
MFG APPR.		TITLE: CHASSIS, FREIGHTLINER, JETTER
DWG. NO. <b>0029540</b>		REV
SIZE B	SCALE: 1:48	WEIGHT: 21277.28 SHEET 1 OF 6


MATERIAL:  
 ( )  
**PROPRIETARY AND CONFIDENTIAL**  
 THE INFORMATION CONTAINED IN THIS DRAWING IS THE SOLE PROPERTY OF SUPER PRODUCTS. ANY REPRODUCTION IN PART OR AS A WHOLE WITHOUT THE WRITTEN PERMISSION OF SUPER PRODUCTS IS PROHIBITED.

UNLESS OTHERWISE SPECIFIED:  
 DIMENSIONS ARE IN INCHES  
 TOLERANCES ARE:  
 X.X ± 0.100  
 X.XX ± 0.060  
 X.XXX ± 0.030  
 ANGULAR: MACH ± 1° BEND ± 2°  
 INTERPRET GEOMETRIC TOLERANCING PER: ASME Y14.5

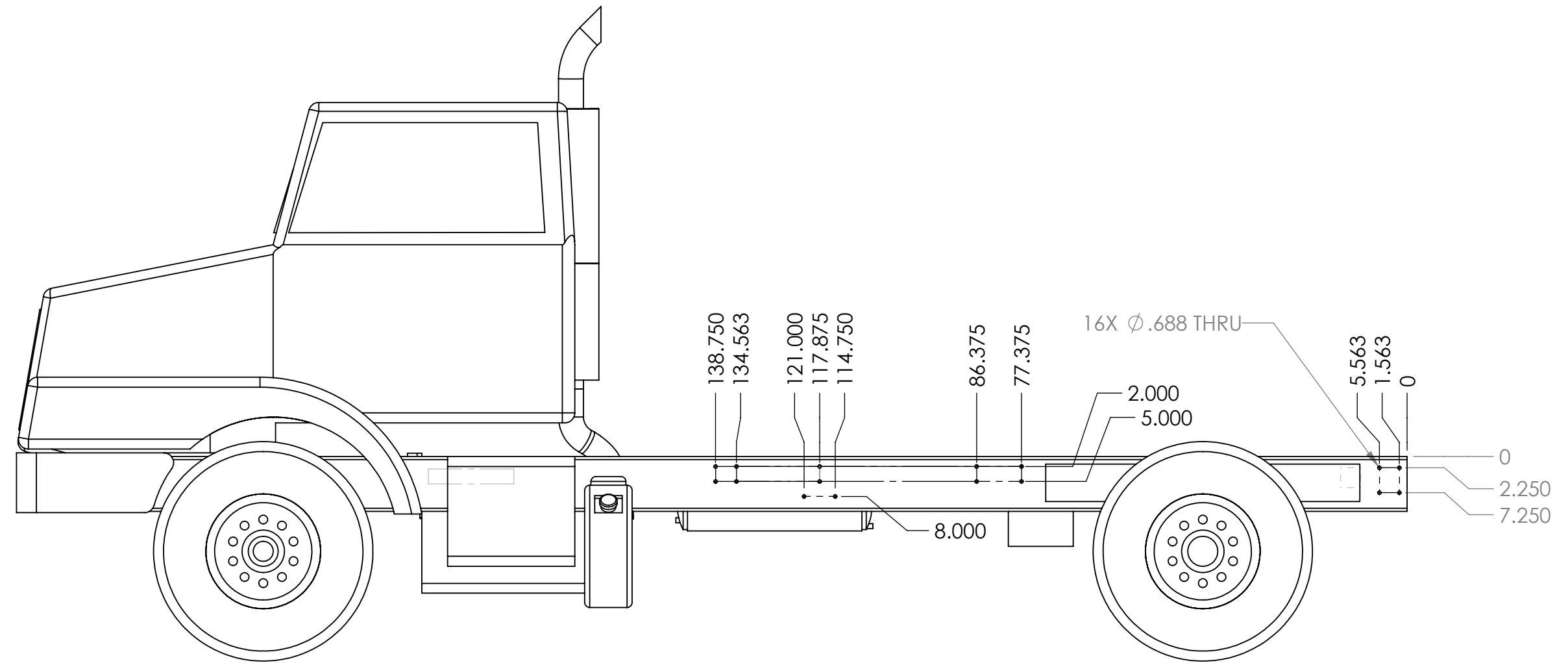
8 7 6 5 4 3 2 1

# OVERALL CHASSIS DIMENSIONS




 <b>SUPER PRODUCTS</b> TRUCK MOUNTED VACUUM EQUIPMENT	
DWG. NO. <b>0029540</b>	REV
SIZE B	SCALE: 1:48   WEIGHT: 21277.28   SHEET 2 OF 6

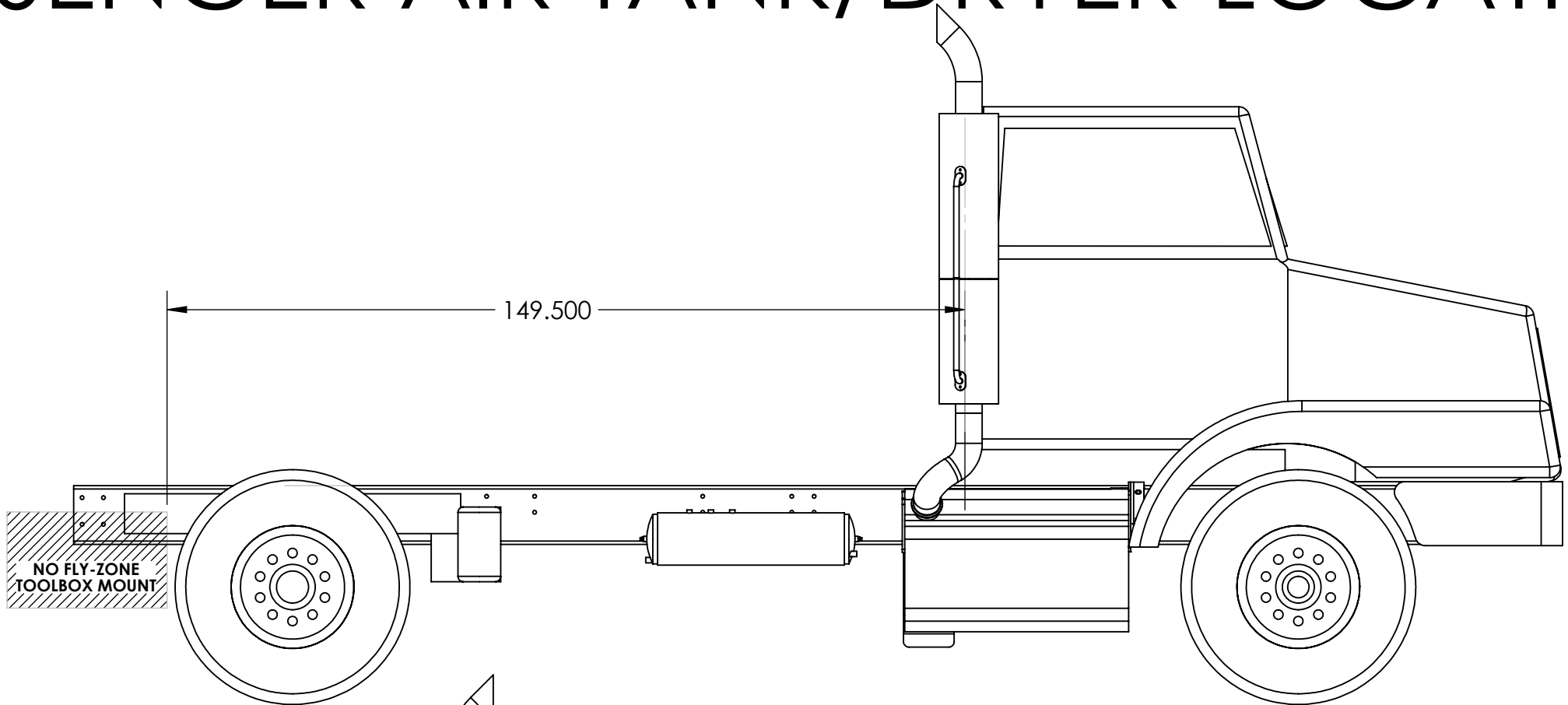
# DRIVER SIDE HOLE LAYOUT



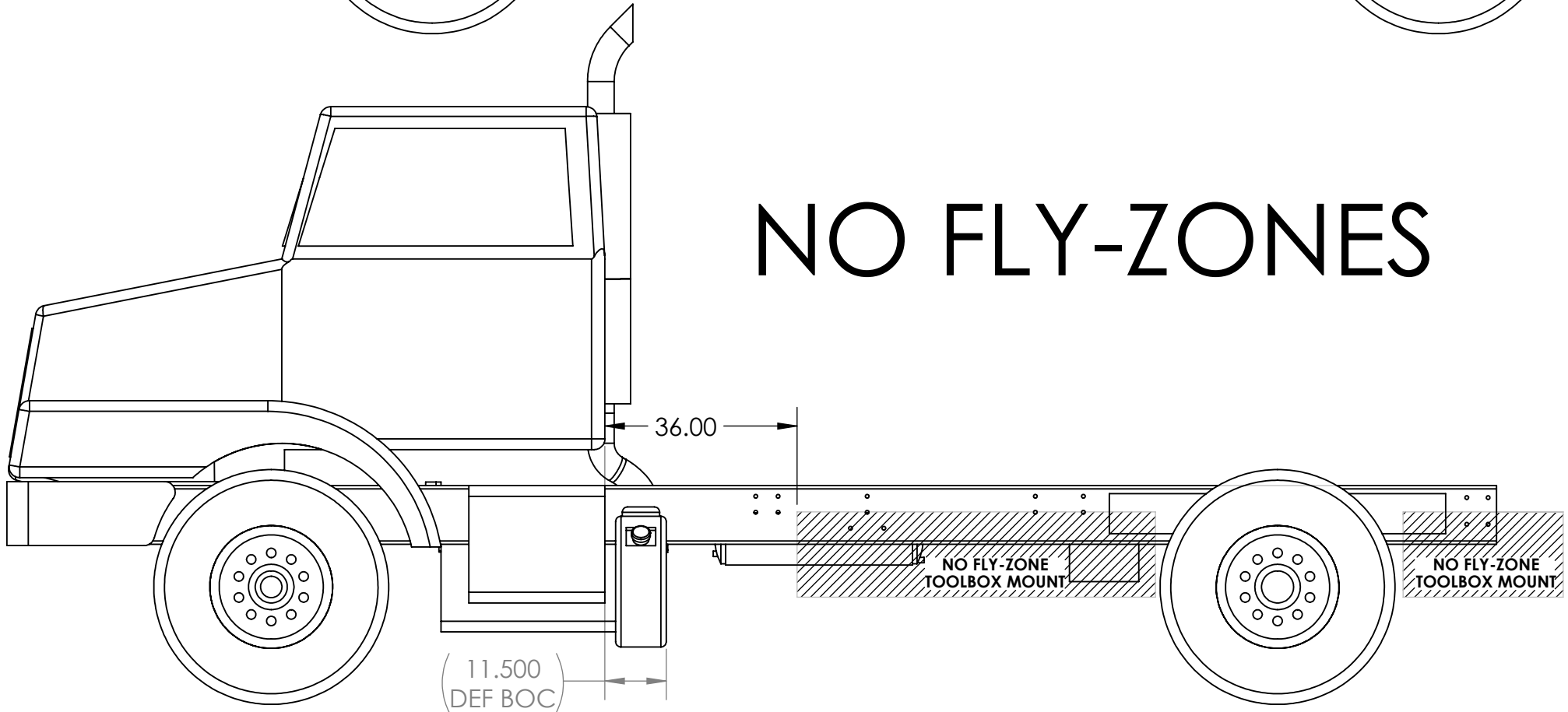
NOTE:  
1) ALL HOLES ARE BOLT HOLES SIZES  
2) TYPICAL BOTH SIDES

 <b>SUPER PRODUCTS</b>	
TRUCK MOUNTED VACUUM EQUIPMENT	
DWG. NO.	REV
<b>0029540</b>	
SIZE B	SCALE: 1:48   WEIGHT: 21277.28   SHEET 3 OF 6

# PASSENGER AIR TANK/DRYER LOCATION

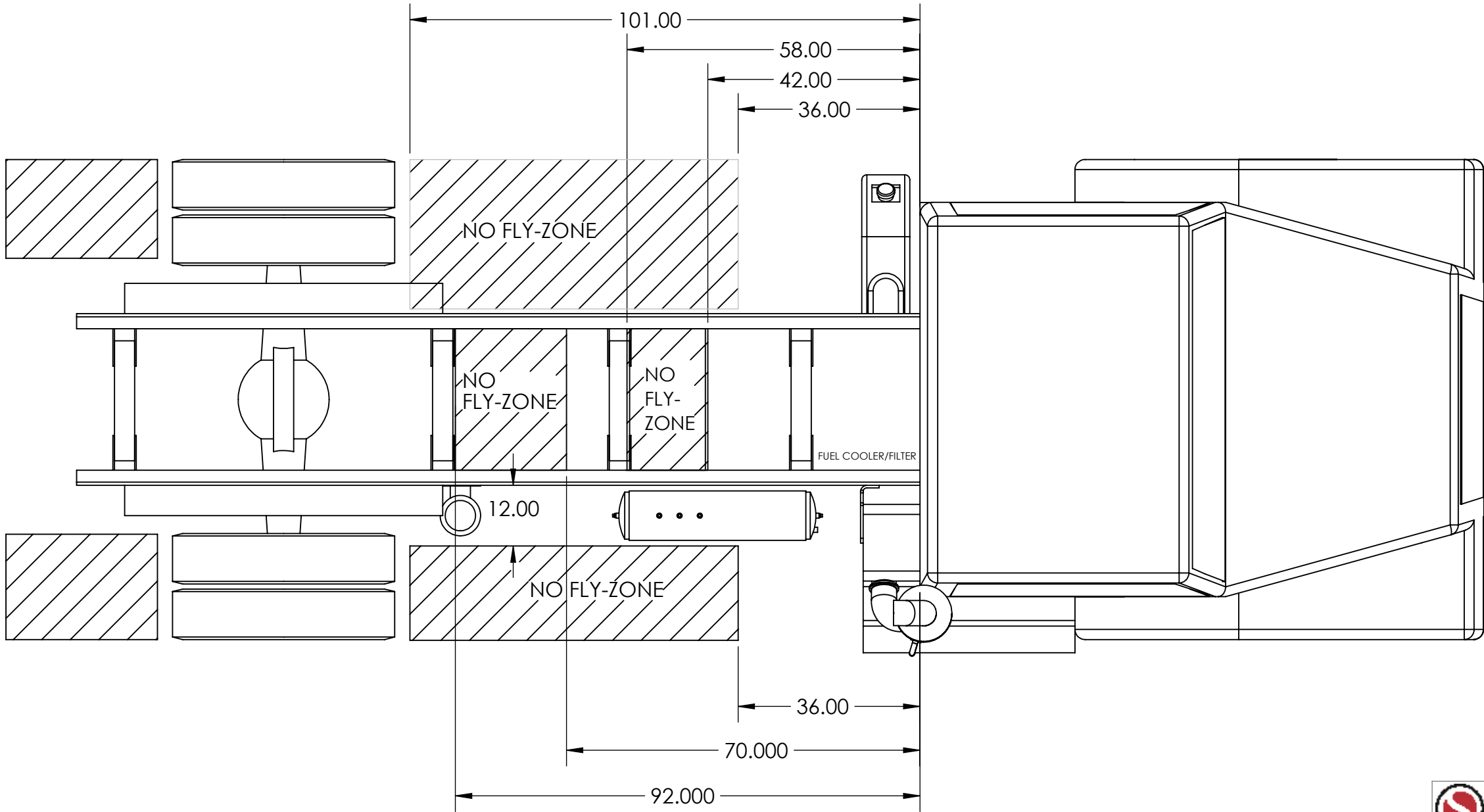



## NO FLY-ZONES



DWG. NO.	REV
<b>0029540</b>	
SIZE B	SCALE: 1:48   WEIGHT: 21277.28   SHEET 4 OF 6

# CROSS MEMBER LOCATION




 <b>SUPER PRODUCTS</b> <small>TRUCK MOUNTED VACUUM EQUIPMENT</small>	
DWG. NO.	REV
<b>0029540</b>	
SIZE B	SCALE: 1:48 WEIGHT: 21277.28 SHEET 5 OF 6

# SUPER PRODUCTS REQUIREMENTS JETTER

## Super Product Chassis Requirements for new Jetter

Item	Description	Requirement
		Year, Make, Model:
		Quote Number:
1	Configuration	4 x 2 SBA Conventional Cab
2	Cab to Tandem, CT	126
3	Axle to End of Frame, AF	41
4	Engine Type	I-6 Wet Sleeve
5	Horsepower	300 hp @ 2,000 rpm
6	Torque	600 ft-lb min
7	Exhaust position	Single RH Hor. Under cab step, Vertical Stack
8	DPF Regeneration	Available in PTO Mode
9	DFP Regeneration	Include Inhibit Switch on Dash
10	Throttle Hand Control	Hand Control on steering wheel
11	Remote Throttle	No analog provision for remote throttle
12	Engine Harness to ECM	Connector underhood
13	Transmission	Allison RDS 3000 Automatic
13	Transmission	Provision for SP installed PTO
14	Transmission Connector	Connector underhood
15	Body Connections	Sealed connector for DOT lighting at EOF
16	Battery Box	Under cab step
17	Battery Switch	Near Battery Box
18	Frame Ground Post	Near Battery Box
19	Frame Rail	2.0 million in-lb RBM min.
20	Inter. X-Members	Hex Bolts
21	Frame Drilling	Per SP Drawing
22	Front Bumper	Yes
23	Tow Hooks	Front Bumper
24	Front Frame Extension	None
25	Front engine PTO	None
26	Front Axle Load	13,000 lbs
27	Rear Axle Load	20,000 lbs
28	Rear Suspension	Air
29	Wheels	Aluminum Front & Rear

	
DWG. NO.	REV
<b>0029540</b>	<b>C</b>
SIZE B	SCALE: 1:48 WEIGHT: 21277.28 SHEET 6 OF 6