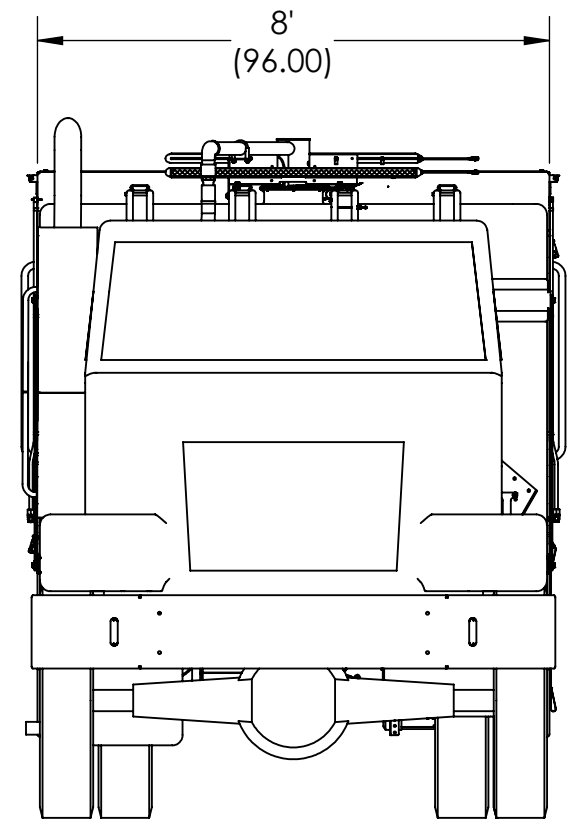
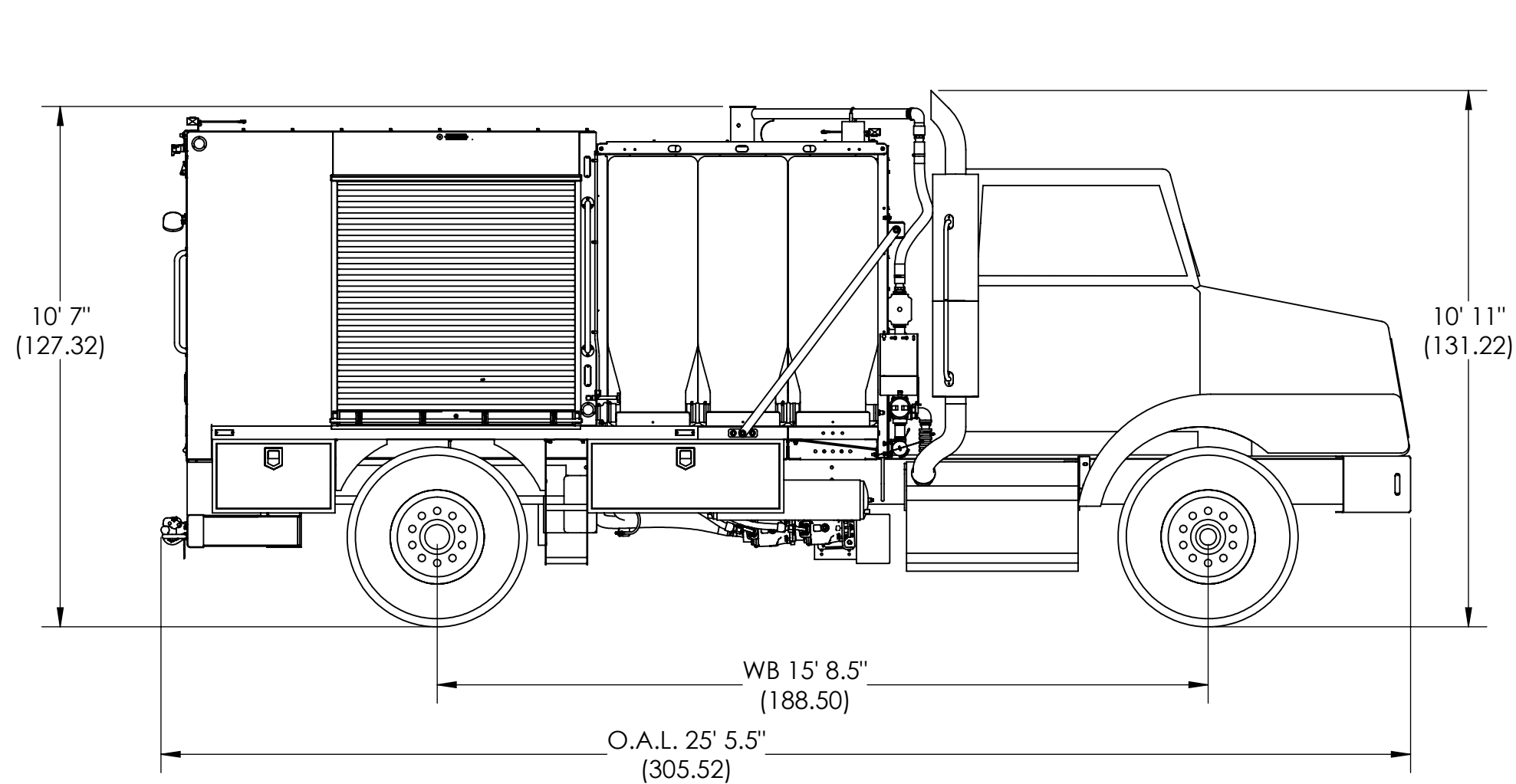


Model	OVERALL Length	Rear Axle Type	Empty Weights			Full of Water Weights		
			Front Axle	Rear Axle	Total	Front Axle	Rear Axle	Total
SJ540	21' 9.5" (261.5")	Single	7,300	11,800	19,100	9,000	14,600	23,600
SJ1080	23' 7.5" (283.5")	Single	7,600	12,200	19,800	11,100	17,700	28,800
SJ1620	25' 5.5" (305.5")	Single	8,000	12,500	20,500	13,300	20,600	33,900
SJ2160	27' 3.5" (327.5")	Tandem	7,500	17,000	24,500	13,900	28,600	42,500
SJ2700	29' 1.5" (349.5")	Tandem	7,900	17,300	25,200	16,200	31,400	47,600
SJ3240	30' 11.5" (371.5")	Tandem	8,200	17,600	25,800	18,600	34,200	52,800

REVISIONS				
REV #	ECO #	DESCRIPTION	DATE	APPR
A				

NOTES:

- WIDTH W/MIRRORS = 110"**
- MAX BODY WIDTH = 96"**
- ALL DIMENSIONS AND SPECS ARE FOR A REFERENCE STOCK TRUCK. ACTUAL VALUES MAY VARY BASED ON CHASSIS MANUFACTURER AND OPTIONS SELECTED**



NAME		DATE			
DRAWN BY		M. Riley			10/29/2018
ENG APPR.		A.Messing			10/30/2018
MFG APPR.					
TITLE:					
LAYOUT, SUPERJET, DIMENSIONS					
DWG. NO.				REV	
0032499				A	
SIZE B	SCALE: 1:96	WEIGHT: 0.00	SHEET 1 OF 2		

MATERIAL:
 ()
PROPRIETARY AND CONFIDENTIAL
 THE INFORMATION CONTAINED IN THIS DRAWING IS THE SOLE PROPERTY OF SUPER PRODUCTS. ANY REPRODUCTION IN PART OR AS A WHOLE WITHOUT THE WRITTEN PERMISSION OF SUPER PRODUCTS IS PROHIBITED.

UNLESS OTHERWISE SPECIFIED:
 DIMENSIONS ARE IN INCHES
 TOLERANCES ARE:
 X.X ± 0.100
 X.XX ± 0.060
 X.XXX ± 0.030
 ANGULAR: MACH ± 1° BEND ± 2°
 INTERPRET GEOMETRIC TOLERANCING PER: ASME Y14.5

8 7 6 5 4 3 2 1

D
C
B
A

REEL ROTATION

200°

CANOPY EXTENDS OUT FROM THE REAR COMPARTMENT 88.5"

4' 3"
(51.11)

29' 6.75"
(354.79)

32'
(384.18)

HOSE REEL EXTENDS OUT FROM THE REAR COMPARTMENT 60"

8 7 6 5 4 3 2 1

		SUPER PRODUCTS	
		TRUCK MOUNTED VACUUM EQUIPMENT	
DWG. NO.			REV
0032499			A
SIZE B	SCALE: 1:36	WEIGHT: 0.00	SHEET 2 OF 2