

**Prepared for:**  
Scott Staniszewski  
Alamo Group Super Products  
17000 W Cleveland  
New Berlin, WI 53151  
Phone: 2627847100

**Prepared by:**  
Tony Bodway  
TRUCK COUNTRY OF  
WISCONSIN, INC.  
2222 WEST RYAN ROAD  
OAK CREEK, WI 53154  
Phone: 414-761-3384

*A proposal for*  
**Alamo Group Super Products**

*Prepared by*  
**TRUCK COUNTRY OF WISCONSIN, INC.**  
*Tony Bodway*

*May 31, 2018*

**Freightliner M2 106**



Components shown may not reflect all spec'd options and are not to scale

Prepared for:  
 Scott Staniszewski  
 Alamo Group Super Products  
 17000 W Cleveland  
 New Berlin, WI 53151  
 Phone: 2627847100

Prepared by:  
 Tony Bodway  
 TRUCK COUNTRY OF  
 WISCONSIN, INC.  
 2222 WEST RYAN ROAD  
 OAK CREEK, WI 53154  
 Phone: 414-761-3384

## S P E C I F I C A T I O N   P R O P O S A L

Data Code	Description	Weight Front	Weight Rear
<b>Price Level</b>			
PRL-10M	M2 PRL-10M (EFF:02/11/15)		
<b>Data Version</b>			
DRL-006	SPECPRO21 DATA RELEASE VER 006		
<b>Vehicle Configuration</b>			
001-172	M2 106 CONVENTIONAL CHASSIS	5,759	3,503
004-219	2019 MODEL YEAR SPECIFIED		
002-004	SET BACK AXLE - TRUCK		
019-002	STRAIGHT TRUCK PROVISION		
003-001	LH PRIMARY STEERING LOCATION		
<b>General Service</b>			
AA1-002	TRUCK CONFIGURATION		
AA6-001	DOMICILED, USA 50 STATES (INCLUDING CALIFORNIA AND CARB OPT-IN STATES)		
A85-010	UTILITY/REPAIR/MAINTENANCE SERVICE		
A84-1UT	UTILITY BUSINESS SEGMENT		
AA4-002	LIQUID BULK COMMODITY		
AA5-002	TERRAIN/DUTY: 100% (ALL) OF THE TIME, IN TRANSIT, IS SPENT ON PAVED ROADS		
AB1-008	MAXIMUM 8% EXPECTED GRADE		
AB5-001	SMOOTH CONCRETE OR ASPHALT PAVEMENT - MOST SEVERE IN-TRANSIT (BETWEEN SITES) ROAD SURFACE		
995-091	MEDIUM TRUCK WARRANTY		
A66-99D	EXPECTED FRONT AXLE(S) LOAD : 13000.0 lbs		
A68-99D	EXPECTED REAR DRIVE AXLE(S) LOAD : 20000.0 lbs		
A63-99D	EXPECTED GROSS VEHICLE WEIGHT CAPACITY : 33000.0 lbs		
<b>Truck Service</b>			
AA3-034	SEWER/INDUSTRIAL VACUUM BODY		

**Prepared for:**  
 Scott Staniszewski  
 Alamo Group Super Products  
 17000 W Cleveland  
 New Berlin, WI 53151  
 Phone: 2627847100

**Prepared by:**  
 Tony Bodway  
 TRUCK COUNTRY OF  
 WISCONSIN, INC.  
 2222 WEST RYAN ROAD  
 OAK CREEK, WI 53154  
 Phone: 414-761-3384

Data Code	Description	Weight Front	Weight Rear
AF3-2AY	SUPER PRODUCTS		
AF7-99D	EXPECTED BODY/PAYLOAD CG HEIGHT ABOVE FRAME "XX" INCHES : 32.0 in		

### Engine

101-21Y	CUM B6.7 325 HP @ 2400 RPM, 2600 GOV, 750 LB/FT @ 1800 RPM
---------	--

### Electronic Parameters

79A-070	70 MPH ROAD SPEED LIMIT
79B-000	CRUISE CONTROL SPEED LIMIT SAME AS ROAD SPEED LIMIT
79K-015	PTO MODE ENGINE RPM LIMIT - 2100 RPM
79M-001	PTO MODE BRAKE OVERRIDE - SERVICE BRAKE APPLIED
79P-002	PTO RPM WITH CRUISE SET SWITCH - 700 RPM
79Q-003	PTO RPM WITH CRUISE RESUME SWITCH - 800 RPM
79S-009	PTO MODE CANCEL VEHICLE SPEED - 0 MPH
79U-007	PTO GOVERNOR RAMP RATE - 250 RPM PER SECOND
79V-001	ENABLE REGENERATION IN PTO MODE
80G-002	PTO MINIMUM RPM - 700
80J-001	REGEN INHIBIT SPEED THRESHOLD - 0 MPH

### Engine Equipment

99C-017	2016 ONBOARD DIAGNOSTICS/2010 EPA/CARB/FINAL GHG17 CONFIGURATION
99D-011	2008 CARB EMISSION CERTIFICATION - CLEAN IDLE (INCLUDES 6X4 INCH LABEL ON LOWER FORWARD CORNER OF DRIVER DOOR)
13E-001	STANDARD OIL PAN
105-001	ENGINE MOUNTED OIL CHECK AND FILL
133-004	ONE PIECE VALVE COVER
014-099	SIDE OF HOOD AIR INTAKE WITH FIREWALL MOUNTED DONALDSON AIR CLEANER
124-1D7	DR 12V 160 AMP 28-SI QUADRAMOUNT PAD ALTERNATOR WITH REMOTE BATTERY VOLT SENSE
292-098	(2) ALLIANCE MODEL 1231XOE, GROUP 31, 12 VOLT MAINTENANCE FREE 2250 CCA THREADED STUD BATTERIES
290-017	BATTERY BOX FRAME MOUNTED
281-001	STANDARD BATTERY JUMPERS

**Prepared for:**  
 Scott Staniszewski  
 Alamo Group Super Products  
 17000 W Cleveland  
 New Berlin, WI 53151  
 Phone: 2627847100

**Prepared by:**  
 Tony Bodway  
 TRUCK COUNTRY OF  
 WISCONSIN, INC.  
 2222 WEST RYAN ROAD  
 OAK CREEK, WI 53154  
 Phone: 414-761-3384

Data Code	Description	Weight Front	Weight Rear
282-001	SINGLE BATTERY BOX FRAME MOUNTED LH SIDE UNDER CAB		
291-017	WIRE GROUND RETURN FOR BATTERY CABLES WITH ADDITIONAL FRAME GROUND RETURN		
289-001	NON-POLISHED BATTERY BOX COVER		
87P-001	CAB AUXILIARY POWER CABLE	5	
33M-001	AUXILIARY POWER NET DISTRIBUTION BLOCK FOR BODY BUILDER USE	5	
293-058	POSITIVE LOAD DISCONNECT WITH CAB MOUNTED CONTROL SWITCH MOUNTED OUTBOARD DRIVER SEAT	8	
107-032	CUMMINS TURBOCHARGED 18.7 CFM AIR COMPRESSOR WITH INTERNAL SAFETY VALVE		
108-002	STANDARD MECHANICAL AIR COMPRESSOR GOVERNOR		
131-013	AIR COMPRESSOR DISCHARGE LINE		
152-041	ELECTRONIC ENGINE INTEGRAL SHUTDOWN PROTECTION SYSTEM		
016-1C2	RH OUTBOARD UNDER STEP MOUNTED HORIZONTAL AFTERTREATMENT SYSTEM ASSEMBLY WITH RH B-PILLAR MOUNTED VERTICAL TAILPIPE	30	25
28F-007	ENGINE AFTERTREATMENT DEVICE, AUTOMATIC OVER THE ROAD ACTIVE REGENERATION AND DASH MOUNTED SINGLE REGENERATION REQUEST/INHIBIT SWITCH		
239-200	INTEGRATED STACK AND B-PILLAR PIPE WITH MINIMUM STACK PROTRUSION ABOVE CAB		
237-1CR	RH CURVED VERTICAL TAILPIPE B-PILLAR MOUNTED ROUTED FROM STEP		
23U-001	6 GALLON DIESEL EXHAUST FLUID TANK		
30N-003	100 PERCENT DIESEL EXHAUST FLUID FILL		
43X-002	LH MEDIUM DUTY STANDARD DIESEL EXHAUST FLUID TANK LOCATION		
23Y-002	DIESEL EXHAUST FLUID PUMP MOUNTED AFT OF DIESEL EXHAUST FLUID TANK		
43Y-001	STANDARD DIESEL EXHAUST FLUID TANK CAP		
242-011	ALUMINUM AFTERTREATMENT DEVICE/MUFFLER/TAILPIPE SHIELD(S)		
N 273-035	HORTON HT650 FRONTAL AIR ON/OFF ENGINE FAN CLUTCH		
276-001	AUTOMATIC FAN CONTROL WITHOUT DASH SWITCH, NON ENGINE MOUNTED		
110-003	CUMMINS SPIN ON FUEL FILTER		

Prepared for:  
 Scott Staniszewski  
 Alamo Group Super Products  
 17000 W Cleveland  
 New Berlin, WI 53151  
 Phone: 2627847100

Prepared by:  
 Tony Bodway  
 TRUCK COUNTRY OF  
 WISCONSIN, INC.  
 2222 WEST RYAN ROAD  
 OAK CREEK, WI 53154  
 Phone: 414-761-3384

Data Code	Description	Weight Front	Weight Rear
118-001	FULL FLOW OIL FILTER		
* 266-101	900 SQUARE INCH ALUMINUM RADIATOR	-35	
103-039	ANTIFREEZE TO -34F, OAT (NITRITE AND SILICATE FREE) EXTENDED LIFE COOLANT		
171-007	GATES BLUE STRIPE COOLANT HOSES OR EQUIVALENT		
172-001	CONSTANT TENSION HOSE CLAMPS FOR COOLANT HOSES		
270-016	RADIATOR DRAIN VALVE		
168-002	LOWER RADIATOR GUARD		
138-010	PHILLIPS-TEMRO 750 WATT/115 VOLT BLOCK HEATER	4	
140-053	BLACK PLASTIC ENGINE HEATER RECEPTACLE MOUNTED UNDER LH DOOR		
134-001	ALUMINUM FLYWHEEL HOUSING		
132-004	ELECTRIC GRID AIR INTAKE WARMER		
155-057	DELCO 12V 29MT STARTER WITH INTEGRATED MAGNETIC SWITCH		

### Transmission

342-582	ALLISON 3000 RDS AUTOMATIC TRANSMISSION WITH PTO PROVISION	200	60
---------	--	-----	----

### Transmission Equipment

343-339	ALLISON VOCATIONAL PACKAGE 223 - AVAILABLE ON 3000/4000 PRODUCT FAMILIES WITH VOCATIONAL MODELS RDS, HS, MH AND TRV
84B-012	ALLISON VOCATIONAL RATING FOR ON/OFF HIGHWAY APPLICATIONS AVAILABLE WITH ALL PRODUCT FAMILIES
84C-023	PRIMARY MODE GEARS, LOWEST GEAR 1, START GEAR 1, HIGHEST GEAR 6, AVAILABLE FOR 3000/4000 PRODUCT FAMILIES ONLY
84D-023	SECONDARY MODE GEARS, LOWEST GEAR 1, START GEAR 1, HIGHEST GEAR 6, AVAILABLE FOR 3000/4000 PRODUCT FAMILIES ONLY
84E-000	PRIMARY SHIFT SCHEDULE RECOMMENDED BY DTNA AND ALLISON, THIS DEFINED BY ENGINE AND VOCATIONAL USAGE
84F-000	SECONDARY SHIFT SCHEDULE RECOMMENDED BY DTNA AND ALLISON, THIS DEFINED BY ENGINE AND VOCATIONAL USAGE
84G-000	PRIMARY SHIFT SPEED RECOMMENDED BY DTNA AND ALLISON, THIS DEFINED BY ENGINE AND VOCATIONAL USAGE

**Prepared for:**  
 Scott Staniszewski  
 Alamo Group Super Products  
 17000 W Cleveland  
 New Berlin, WI 53151  
 Phone: 2627847100

**Prepared by:**  
 Tony Bodway  
 TRUCK COUNTRY OF  
 WISCONSIN, INC.  
 2222 WEST RYAN ROAD  
 OAK CREEK, WI 53154  
 Phone: 414-761-3384

Data Code	Description	Weight Front	Weight Rear
84H-000	SECONDARY SHIFT SPEED RECOMMENDED BY DTNA AND ALLISON, THIS DEFINED BY ENGINE AND VOCATIONAL USAGE		
84L-010	DISABLE - LOAD BASED SHIFT SCHEDULE, DISABLE - VEHICLE ACCELERATION CONTROL		
84N-000	NEUTRAL AT STOP - DISABLED, FUELSENSE - DISABLED		
84U-000	DRIVER SWITCH INPUT - DEFAULT - NO SWITCHES		
353-038	MARKER LAMP CONNECTION FOR BODY BUILDERS		
34C-001	ELECTRONIC TRANSMISSION CUSTOMER ACCESS CONNECTOR FIREWALL MOUNTED		
362-807	CUSTOMER INSTALLED MUNCIE CS41 SERIES PTO		
363-001	PTO MOUNTING, LH SIDE OF MAIN TRANSMISSION		
341-018	MAGNETIC PLUGS, ENGINE DRAIN, TRANSMISSION DRAIN, AXLE(S) FILL AND DRAIN		
345-003	PUSH BUTTON ELECTRONIC SHIFT CONTROL, DASH MOUNTED		
97G-004	TRANSMISSION PROGNOSTICS - ENABLED 2013		
370-015	WATER TO OIL TRANSMISSION COOLER, IN RADIATOR END TANK		
346-003	TRANSMISSION OIL CHECK AND FILL WITH ELECTRONIC OIL LEVEL CHECK		
35T-001	SYNTHETIC TRANSMISSION FLUID (TES-295 COMPLIANT)		

### Front Axle and Equipment

400-1EA	DETROIT DA-F-13.0-3 13,000# FF1 71.5 KPI/3.74 DROP SINGLE FRONT AXLE
402-020	MERITOR 15X4 Q+ CAM FRONT BRAKES
403-002	NON-ASBESTOS FRONT BRAKE LINING
419-023	CONMET CAST IRON FRONT BRAKE DRUMS
409-006	FRONT OIL SEALS
408-001	VENTED FRONT HUB CAPS WITH WINDOW, CENTER AND SIDE PLUGS - OIL
416-022	STANDARD SPINDLE NUTS FOR ALL AXLES
405-002	MERITOR AUTOMATIC FRONT SLACK ADJUSTERS
536-050	TRW THP-60 POWER STEERING
539-003	POWER STEERING PUMP

Prepared for:  
 Scott Staniszewski  
 Alamo Group Super Products  
 17000 W Cleveland  
 New Berlin, WI 53151  
 Phone: 2627847100

Prepared by:  
 Tony Bodway  
 TRUCK COUNTRY OF  
 WISCONSIN, INC.  
 2222 WEST RYAN ROAD  
 OAK CREEK, WI 53154  
 Phone: 414-761-3384

Data Code	Description	Weight Front	Weight Rear
534-015	2 QUART SEE THROUGH POWER STEERING RESERVOIR		
40T-001	ORGANIC SAE 80/90 FRONT AXLE LUBE		
<b>Front Suspension</b>			
620-1D8	13,300# TAPERLEAF FRONT SUSPENSION	75	
619-005	MAINTENANCE FREE RUBBER BUSHINGS - FRONT SUSPENSION		
* 62H-012	FRONT SUSPENSION WITH LEFT HAND AND RIGHT HAND OFFSET SHACKLE BRACKETS		
410-001	FRONT SHOCK ABSORBERS		
<b>Rear Axle and Equipment</b>			
420-1G7	DETROIT DA-RS-20.0-4 20,000# R-SERIES SINGLE REAR AXLE		10
421-556	5.56 REAR AXLE RATIO		
424-001	IRON REAR AXLE CARRIER WITH STANDARD AXLE HOUSING		
* 386-073	MXL 17T MERITOR EXTENDED LUBE MAIN DRIVELINE WITH HALF ROUND YOKES 2 PIECE DRIVELINE		
423-020	MERITOR 16.5X7 Q+ CAST SPIDER CAM REAR BRAKES, DOUBLE ANCHOR, FABRICATED SHOES		
433-002	NON-ASBESTOS REAR BRAKE LINING		
434-005	BRAKE CAMS AND CHAMBERS ON FORWARD SIDE OF DRIVE AXLE(S) WITH AUXILIARY SUPPORT BRACKETS		
451-023	CONMET CAST IRON REAR BRAKE DRUMS		
440-006	REAR OIL SEALS		
426-100	WABCO TRISTOP D LONGSTROKE 1-DRIVE AXLE SPRING PARKING CHAMBERS		
428-002	MERITOR AUTOMATIC REAR SLACK ADJUSTERS		
41T-001	ORGANIC SAE 80/90 REAR AXLE LUBE		
<b>Rear Suspension</b>			
622-284	AIRLINER 21,000# REAR SUSPENSION		
621-007	AIRLINER HIGH POSITION RIDE HEIGHT		
431-001	STANDARD AXLE SEATS IN AXLE CLAMP GROUP		
888-050	IGNITION CONTROLLED ELECTRIC DUMP SWITCH FOR AIR SUSPENSION WITH GAUGE		

Prepared for:  
 Scott Staniszewski  
 Alamo Group Super Products  
 17000 W Cleveland  
 New Berlin, WI 53151  
 Phone: 2627847100

Prepared by:  
 Tony Bodway  
 TRUCK COUNTRY OF  
 WISCONSIN, INC.  
 2222 WEST RYAN ROAD  
 OAK CREEK, WI 53154  
 Phone: 414-761-3384

Data Code	Description	Weight Front	Weight Rear
87D-001	REAR AIR SUSPENSION DUMP VALVE AUTOFILL WITH IGNITION OFF OR >5 MPH WITH INDICATOR LIGHT		
910-001	SINGLE AIR REAR SUSPENSION LEVELING VALVE		
623-002	TRANSVERSE CONTROL RODS		
439-004	REAR SHOCK ABSORBERS - ONE AXLE (AIR RIDE SUSPENSION)		

### Brake System

	018-002	AIR BRAKE PACKAGE		
	490-100	WABCO 4S/4M ABS WITHOUT TRACTION CONTROL		
	871-001	REINFORCED NYLON, FABRIC BRAID AND WIRE BRAID CHASSIS AIR LINES		
	904-001	FIBER BRAID PARKING BRAKE HOSE		
	412-001	STANDARD BRAKE SYSTEM VALVES		
	46D-002	STANDARD AIR SYSTEM PRESSURE PROTECTION SYSTEM		
	413-002	STD U.S. FRONT BRAKE VALVE		
	432-003	RELAY VALVE WITH 5-8 PSI CRACK PRESSURE, NO REAR PROPORTIONING VALVE		
N	480-083	WABCO SS-1200 PLUS AIR DRYER WITH INTEGRAL AIR GOVERNOR AND HEATER		
	483-004	WABCO OIL COALESCING FILTER FOR AIR DRYER		
	479-012	AIR DRYER MOUNTED UNDER HOOD		
*	460-093	STEEL AIR BRAKE RESERVOIRS; CUSTOMER ACCEPTS TANKS MOUNTED PERPENDICULAR TO RAIL	10	10
		NOT TO EXCEED 22" BOC		
	477-001	PULL CABLE ON WET TANK, PETCOCK DRAIN VALVES ON ALL OTHER AIR TANKS		

### Trailer Connections

	296-027	PRIMARY CONNECTOR/RECEPTACLE WIRED FOR COMBINATION STOP/TURN, CENTER PIN POWERED THROUGH IGNITION WITH STOP SIGNAL PREWIRE PACKAGE		
	297-041	SAE J560 7-WAY PRIMARY CABLE RECEPTACLE MOUNTED END OF FRAME WITH 36" ADDITIONAL CABLE AT REAR CROSSMEMBER	5	5
	335-004	UPGRADED CHASSIS MULTIPLEXING UNIT		
	32A-002	UPGRADED BULKHEAD MULTIPLEXING UNIT		



Prepared for:  
 Scott Staniszewski  
 Alamo Group Super Products  
 17000 W Cleveland  
 New Berlin, WI 53151  
 Phone: 2627847100

Prepared by:  
 Tony Bodway  
 TRUCK COUNTRY OF  
 WISCONSIN, INC.  
 2222 WEST RYAN ROAD  
 OAK CREEK, WI 53154  
 Phone: 414-761-3384

Data Code	Description	Weight Front	Weight Rear
<b>Wheelbase &amp; Frame</b>			
545-487	4875MM (192 INCH) WHEELBASE		
546-101	11/32X3-1/2X10-15/16 INCH STEEL FRAME (8.73MMX277.8MM/0.344X10.94 INCH) 120KSI	120	120
552-134	1050MM (41 INCH) REAR FRAME OVERHANG		
55W-004	FRAME OVERHANG RANGE: 41 INCH TO 50 INCH	10	-80
AC8-99D	CALC'D BACK OF CAB TO REAR SUSP C/L (CA) : 126.45 in		
AE8-99D	CALCULATED EFFECTIVE BACK OF CAB TO REAR SUSPENSION C/L (CA) : 123.45 in		
AE4-99D	CALC'D FRAME LENGTH - OVERALL : 262.39		
AM6-99D	CALC'D SPACE AVAILABLE FOR DECKPLATE : 126.45 in		
FSS-0LH	CALCULATED FRAME SPACE LH SIDE : 95.23 in		
FSS-0RH	CALCULATED FRAME SPACE RH SIDE : 106.81 in		
553-001	SQUARE END OF FRAME		
550-001	FRONT CLOSING CROSSMEMBER		
559-001	STANDARD WEIGHT ENGINE CROSSMEMBER		
561-001	STANDARD CROSSMEMBER BACK OF TRANSMISSION		
* 562-001	STANDARD MIDSHIP #1 CROSSMEMBER(S) MOUNT AT 27" BOC		
* 563-001	CROSSMEMBER-MIDSHIP #2 MOUNT 41" AFT OF MIDSHIP #1		
572-001	STANDARD REAR MOST CROSSMEMBER		
565-001	STANDARD SUSPENSION CROSSMEMBER		
<b>Chassis Equipment</b>			
556-1AP	THREE-PIECE 14 INCH PAINTED STEEL BUMPER WITH COLLAPSIBLE ENDS	30	
558-001	FRONT TOW HOOKS - FRAME MOUNTED	15	
574-001	BUMPER MOUNTING FOR SINGLE LICENSE PLATE		
586-024	FENDER AND FRONT OF HOOD MOUNTED FRONT MUDFLAPS		
551-007	GRADE 8 THREADED HEX HEADED FRAME FASTENERS		
<b>Fuel Tanks</b>			
204-219	70 GALLON/264 LITER RECTANGULAR ALUMINUM FUEL TANK - LH	30	10

Prepared for:  
 Scott Staniszewski  
 Alamo Group Super Products  
 17000 W Cleveland  
 New Berlin, WI 53151  
 Phone: 2627847100

Prepared by:  
 Tony Bodway  
 TRUCK COUNTRY OF  
 WISCONSIN, INC.  
 2222 WEST RYAN ROAD  
 OAK CREEK, WI 53154  
 Phone: 414-761-3384

Data Code	Description	Weight Front	Weight Rear
218-005	RECTANGULAR FUEL TANK(S)		
215-005	PLAIN ALUMINUM/PAINTED STEEL FUEL/HYDRAULIC TANK(S) WITH PAINTED BANDS		
212-007	FUEL TANK(S) FORWARD		
664-001	PLAIN STEP FINISH		
205-001	FUEL TANK CAP(S)		
122-1J1	DETROIT FUEL/WATER SEPARATOR WITH WATER IN FUEL SENSOR, HAND PRIMER AND 12 VOLT PREHEATER"	-5	
216-020	EQUIFLO INBOARD FUEL SYSTEM		
11F-998	NO NATURAL GAS VEHICLE FUEL TANK VENT LINE/STACK		
202-016	HIGH TEMPERATURE REINFORCED NYLON FUEL LINE		
<b>Tires</b>			
093-2C7	HANKOOK DL11 11R22.5 16 PLY RADIAL FRONT TIRES	30	
094-2C6	HANKOOK DL11 11R22.5 14 PLY RADIAL REAR TIRES		60
<b>Hubs</b>			
418-060	CONMET PRESET PLUS PREMIUM IRON FRONT HUBS		
450-060	CONMET PRESET PLUS PREMIUM IRON REAR HUBS		
<b>Wheels</b>			
502-1EF	ALCOA LVL ONE 88367X 22.5X8.25 10-HUB PILOT 5.79 INSET ALUMINUM DISC FRONT WHEELS	-50	
505-1EF	ALCOA LVL ONE 88367X 22.5X8.25 10-HUB PILOT ALUMINUM DISC REAR WHEELS		-100
524-001	POLISHED FRONT WHEELS; OUTSIDE ONLY		
525-001	POLISHED REAR WHEELS; OUTSIDE OF OUTER WHEELS ONLY		
496-011	FRONT WHEEL MOUNTING NUTS		
497-011	REAR WHEEL MOUNTING NUTS		
<b>Cab Exterior</b>			
829-071	106 INCH BBC FLAT ROOF ALUMINUM CONVENTIONAL CAB		
650-008	AIR CAB MOUNTING		
678-001	LH AND RH GRAB HANDLES		

**Prepared for:**  
 Scott Staniszewski  
 Alamo Group Super Products  
 17000 W Cleveland  
 New Berlin, WI 53151  
 Phone: 2627847100

**Prepared by:**  
 Tony Bodway  
 TRUCK COUNTRY OF  
 WISCONSIN, INC.  
 2222 WEST RYAN ROAD  
 OAK CREEK, WI 53154  
 Phone: 414-761-3384

Data Code	Description	Weight Front	Weight Rear
646-023	HOOD MOUNTED CHROMED PLASTIC GRILLE		
65X-003	CHROME HOOD MOUNTED AIR INTAKE GRILLE		
644-004	FIBERGLASS HOOD		
727-1AF	SINGLE 14 INCH ROUND HADLEY AIR HORN UNDER LH DECK	4	
726-001	SINGLE ELECTRIC HORN		
728-001	SINGLE HORN SHIELD		
657-1CV	DOOR LOCKS AND IGNITION SWITCH KEYED THE SAME WITH (4) KEYS		
575-001	REAR LICENSE PLATE MOUNT END OF FRAME		
312-038	INTEGRAL HEADLIGHT/MARKER ASSEMBLY WITH CHROME BEZEL		
302-047	LED AERODYNAMIC MARKER LIGHTS		
294-090	OMIT STOP/TAIL/BACKUP LIGHTS AND PROVIDE WIRING FOR COMBINED STOP/TURN LIGHTS TO FOUR FEET BEYOND END OF FRAME		-5
300-015	STANDARD FRONT TURN SIGNAL LAMPS		
744-1BM	DUAL WEST COAST BRIGHT FINISH HEATED MIRRORS		
797-001	DOOR MOUNTED MIRRORS		
796-001	102 INCH EQUIPMENT WIDTH		
743-204	LH AND RH 8 INCH BRIGHT FINISH CONVEX MIRRORS MOUNTED UNDER PRIMARY MIRRORS		
729-001	STANDARD SIDE/REAR REFLECTORS		
768-043	63X14 INCH TINTED REAR WINDOW		
661-003	TINTED DOOR GLASS LH AND RH WITH TINTED NON-OPERATING WING WINDOWS		
654-003	MANUAL DOOR WINDOW REGULATORS		
663-013	TINTED WINDSHIELD		
659-019	2 GALLON WINDSHIELD WASHER RESERVOIR WITHOUT FLUID LEVEL INDICATOR, FRAME MOUNTED		

### Cab Interior

707-1AM	OPAL GRAY CLOTH INTERIOR
706-013	MOLDED PLASTIC DOOR PANEL
708-013	MOLDED PLASTIC DOOR PANEL
772-006	BLACK MATS WITH SINGLE INSULATION
691-008	FORWARD ROOF MOUNTED CONSOLE WITH UPPER STORAGE COMPARTMENTS WITHOUT NETTING

**Prepared for:**  
 Scott Staniszewski  
 Alamo Group Super Products  
 17000 W Cleveland  
 New Berlin, WI 53151  
 Phone: 2627847100

**Prepared by:**  
 Tony Bodway  
 TRUCK COUNTRY OF  
 WISCONSIN, INC.  
 2222 WEST RYAN ROAD  
 OAK CREEK, WI 53154  
 Phone: 414-761-3384

Data Code	Description	Weight Front	Weight Rear
694-010	IN DASH STORAGE BIN		
696-012	CENTER STORAGE CONSOLE MOUNTED ON BACKWALL	20	
693-008	PLASTIC MANIFEST BOX - LH AND RH DOORS		
742-007	(2) CUP HOLDERS LH AND RH DASH		
680-006	GRAY/CHARCOAL FLAT DASH		
720-003	5 LB. FIRE EXTINGUISHER	10	
700-002	HEATER, DEFROSTER AND AIR CONDITIONER		
701-001	STANDARD HVAC DUCTING		
703-005	MAIN HVAC CONTROLS WITH RECIRCULATION SWITCH		
* 689-803	PREP KIT FOR CUSTOMER INSTALLED AUXILIARY HEATER, PLUMBING FROM ENGINE TO BACK OF CAB WITH SHUTOFF VALVES		
	MOUNTING LOCATION TO BE 4" FORWARD FROM JU6101 IF POSSIBLE. TO BE DISCUSSED WITH FTL AND CONFIRMED IF POSSIBLE.		
170-015	STANDARD HEATER PLUMBING		
* 724-001	AUXILIARY HEATER PLUMBING		
130-033	DENSO HEAVY DUTY AIR CONDITIONER COMPRESSOR		
702-002	BINARY CONTROL, R-134A		
739-033	STANDARD INSULATION		
285-013	SOLID-STATE CIRCUIT PROTECTION AND FUSES		
280-007	12V NEGATIVE GROUND ELECTRICAL SYSTEM		
324-011	DOMED DOOR ACTIVATED LH AND RH, DUAL READING LIGHTS, FORWARD CAB ROOF		
655-001	CAB DOOR LATCHES WITH MANUAL DOOR LOCKS		
284-045	(2) 12 VOLT POWER RECEPTACLES MOUNTED IN DASH		
722-002	TRIANGULAR REFLECTORS WITHOUT FLARES	10	
756-1J3	BASIC HIGH BACK AIR SUSPENSION DRIVER SEAT WITH MECHANICAL LUMBAR AND INTEGRATED CUSHION EXTENSION	30	
760-1DC	BASIC HIGH BACK NON SUSPENSION PASSENGER SEAT		
759-009	INBOARD DRIVER SEAT ARMREST, NO PASSENGER SEAT ARMREST	2	
711-004	LH AND RH INTEGRAL DOOR PANEL ARMRESTS		
758-014	BLACK CORDURA PLUS CLOTH DRIVER SEAT COVER		

**Prepared for:**  
 Scott Staniszewski  
 Alamo Group Super Products  
 17000 W Cleveland  
 New Berlin, WI 53151  
 Phone: 2627847100

**Prepared by:**  
 Tony Bodway  
 TRUCK COUNTRY OF  
 WISCONSIN, INC.  
 2222 WEST RYAN ROAD  
 OAK CREEK, WI 53154  
 Phone: 414-761-3384

Data Code	Description	Weight Front	Weight Rear
761-014	BLACK CORDURA PLUS CLOTH PASSENGER SEAT COVER		
763-102	HIGH VISIBILITY ORANGE SEAT BELTS		
532-001	FIXED STEERING COLUMN		
540-015	4-SPOKE 18 INCH (450MM) STEERING WHEEL		
765-002	DRIVER AND PASSENGER INTERIOR SUN VISORS		

### Instruments & Controls

732-004	GRAY DRIVER INSTRUMENT PANEL		
734-004	GRAY CENTER INSTRUMENT PANEL		
87L-001	ENGINE REMOTE INTERFACE WITH PARK BRAKE INTERLOCK		
870-001	BLACK GAUGE BEZELS		
486-001	LOW AIR PRESSURE INDICATOR LIGHT AND AUDIBLE ALARM		
840-002	2 INCH PRIMARY AND SECONDARY AIR PRESSURE GAUGES		
198-025	INTAKE MOUNTED AIR RESTRICTION INDICATOR WITHOUT GRADUATIONS		
149-013	ELECTRONIC CRUISE CONTROL WITH SWITCHES IN LH SWITCH PANEL		
156-007	KEY OPERATED IGNITION SWITCH AND INTEGRAL START POSITION; 4 POSITION OFF/RUN/START/ACCESSORY		
811-042	ICU3S, 132X48 DISPLAY WITH DIAGNOSTICS, 28 LED WARNING LAMPS AND DATA LINKED		
160-038	HEAVY DUTY ONBOARD DIAGNOSTICS INTERFACE CONNECTOR LOCATED BELOW LH DASH		
844-001	2 INCH ELECTRIC FUEL GAUGE		
148-073	ENGINE REMOTE INTERFACE FOR REMOTE THROTTLE		
163-004	ENGINE REMOTE INTERFACE CONNECTOR IN ENGINE COMPARTMENT		
856-001	ELECTRICAL ENGINE COOLANT TEMPERATURE GAUGE		
864-001	2 INCH TRANSMISSION OIL TEMPERATURE GAUGE		
830-017	ENGINE AND TRIP HOUR METERS INTEGRAL WITHIN DRIVER DISPLAY		
372-051	CUSTOMER FURNISHED AND INSTALLED PTO CONTROLS		
852-002	ELECTRIC ENGINE OIL PRESSURE GAUGE		

**Prepared for:**  
 Scott Staniszewski  
 Alamo Group Super Products  
 17000 W Cleveland  
 New Berlin, WI 53151  
 Phone: 2627847100

**Prepared by:**  
 Tony Bodway  
 TRUCK COUNTRY OF  
 WISCONSIN, INC.  
 2222 WEST RYAN ROAD  
 OAK CREEK, WI 53154  
 Phone: 414-761-3384

Data Code	Description	Weight Front	Weight Rear
679-001	OVERHEAD INSTRUMENT PANEL		
746-114	AM/FM/WB WORLD TUNER RADIO WITH AUXILIARY INPUT, J1939	10	
747-001	DASH MOUNTED RADIO		
750-002	(2) RADIO SPEAKERS IN CAB		
753-008	AM/FM ANTENNA MOUNTED ON LH SIDE MIRROR		
748-006	POWER AND GROUND WIRING PROVISION OVERHEAD		
749-001	ROOF/OVERHEAD CONSOLE CB RADIO PROVISION		
810-027	ELECTRONIC MPH SPEEDOMETER WITH SECONDARY KPH SCALE, WITHOUT ODOMETER		
817-001	STANDARD VEHICLE SPEED SENSOR		
812-001	ELECTRONIC 3000 RPM TACHOMETER		
162-011	IDLE LIMITER, ELECTRONIC ENGINE		
81Y-001	PRE-TRIP LAMP INSPECTION, ALL OUTPUTS FLASH, WITH SMART SWITCH		
836-015	DIGITAL VOLTAGE DISPLAY INTEGRAL WITH DRIVER DISPLAY		
660-008	SINGLE ELECTRIC WINDSHIELD WIPER MOTOR WITH DELAY		
304-001	MARKER LIGHT SWITCH INTEGRAL WITH HEADLIGHT SWITCH		
882-009	ONE VALVE PARKING BRAKE SYSTEM WITH WARNING INDICATOR		
299-013	SELF CANCELING TURN SIGNAL SWITCH WITH DIMMER, WASHER/WIPER AND HAZARD IN HANDLE		
298-039	INTEGRAL ELECTRONIC TURN SIGNAL FLASHER WITH HAZARD LAMPS OVERRIDING STOP LAMPS		

### Design

065-000 PAINT: ONE SOLID COLOR

### Color

980-5F6 CAB COLOR A: L0006EB WHITE ELITE BC  
 986-020 BLACK, HIGH SOLIDS POLYURETHANE CHASSIS PAINT  
 964-6Z7 BUMPER PAINT: FP24812 ARGENT SILVER DUPONT FLEX  
 963-003 STANDARD E COAT/UNDERCOATING

**Prepared for:**  
 Scott Staniszewski  
 Alamo Group Super Products  
 17000 W Cleveland  
 New Berlin, WI 53151  
 Phone: 2627847100

**Prepared by:**  
 Tony Bodway  
 TRUCK COUNTRY OF  
 WISCONSIN, INC.  
 2222 WEST RYAN ROAD  
 OAK CREEK, WI 53154  
 Phone: 414-761-3384

Data Code	Description	Weight Front	Weight Rear
<b>Certification / Compliance</b>			
996-001	U.S. FMVSS CERTIFICATION, EXCEPT SALES CABS AND GLIDER KITS		

<b>Sales Programs</b>			
NO SALES PROGRAMS HAVE BEEN SELECTED			

**T O T A L V E H I C L E S U M M A R Y**

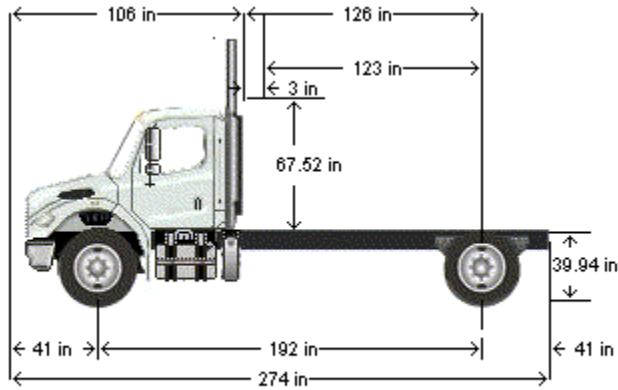
<b>Weight Summary</b>			
	Weight Front	Weight Rear	Total Weight
Factory Weight <sup>+</sup>	6332 lbs	3618 lbs	9950 lbs
<b>Total Weight<sup>+</sup></b>	<b>6332 lbs</b>	<b>3618 lbs</b>	<b>9950 lbs</b>

(+) Weights shown are estimates only.  
 If weight is critical, contact Customer Application Engineering.

Prepared for:  
 Scott Staniszewski  
 Alamo Group Super Products  
 17000 W Cleveland  
 New Berlin, WI 53151  
 Phone: 2627847100

Prepared by:  
 Tony Bodway  
 TRUCK COUNTRY OF  
 WISCONSIN, INC.  
 2222 WEST RYAN ROAD  
 OAK CREEK, WI 53154  
 Phone: 414-761-3384

## D I M E N S I O N S



### VEHICLE SPECIFICATIONS SUMMARY - DIMENSIONS

Model .....	M2106
Wheelbase (545) .....	4875MM (192 INCH) WHEELBASE
Rear Frame Overhang (552) .....	1050MM (41 INCH) REAR FRAME OVERHANG
Fifth Wheel (578) .....	NO FIFTH WHEEL
Mounting Location (577) .....	NO FIFTH WHEEL LOCATION
Maximum Forward Position (in) .....	0
Maximum Rearward Position (in) .....	0
Amount of Slide Travel (in) .....	0
Slide Increment (in) .....	0
Desired Slide Position (in) .....	0.0
Cab Size (829) .....	106 INCH BBC FLAT ROOF ALUMINUM CONVENTIONAL CAB
Sleeper (682) .....	NO SLEEPER BOX/SLEEPER CAB
Exhaust System (016) .....	RH OUTBOARD UNDER STEP MOUNTED HORIZONTAL AFTERTREATMENT SYSTEM ASSEMBLY WITH RH B-PILLAR MOUNTED VERTICAL TAILPIPE

### TABLE SUMMARY - DIMENSIONS



**Prepared for:**  
 Scott Staniszewski  
 Alamo Group Super Products  
 17000 W Cleveland  
 New Berlin, WI 53151  
 Phone: 2627847100

**Prepared by:**  
 Tony Bodway  
 TRUCK COUNTRY OF  
 WISCONSIN, INC.  
 2222 WEST RYAN ROAD  
 OAK CREEK, WI 53154  
 Phone: 414-761-3384

Dimensions	Inches
Bumper to Back of Cab (BBC)	106.3
Bumper to Centerline of Front Axle (BA)	40.7
Min. Cab to Body Clearance (CB)	3.0
Back of Cab to Centerline of Rear Axle(s) (CA)	126.4
Effective Back of Cab to Centerline of Rear Axle(s) (Effective CA)	123.4
Back of Cab Protrusions (Exhaust/Intake) (CP)	0.0
Back of Cab Protrusions (Side Extenders/Trim Tab) (CP)	0.0
Back of Cab Protrusions (CNG Tank)	0.0
Back of Cab Clearance (CL)	3.0
Back of Cab to End of Frame	167.4
Cab Height (CH)	67.5
Wheelbase (WB)	192.0
Frame Overhang (OH)	41.0
Overall Length (OAL)	273.7
Rear Axle Spacing	0.0
Unladen Frame Height at Centerline of Rear Axle	39.9

Performance calculations are estimates only. If performance calculations are critical, please contact Customer Application Engineering.

**Prepared for:**  
 Scott Staniszewski  
 Alamo Group Super Products  
 17000 W Cleveland  
 New Berlin, WI 53151  
 Phone: 2627847100

**Prepared by:**  
 Tony Bodway  
 TRUCK COUNTRY OF  
 WISCONSIN, INC.  
 2222 WEST RYAN ROAD  
 OAK CREEK, WI 53154  
 Phone: 414-761-3384

**F R A M E R B M**

**VEHICLE SPECIFICATIONS SUMMARY - FRAME RBM**

Wheelbase (545) .....4875MM (192 INCH) WHEELBASE  
 Frame Rails (546)..... 11/32X3-1/2X10-15/16 INCH STEEL FRAME (8.73MMX277.8MM/0.344X10.94 INCH) 120KSI(546)  
     Yield Strength (psi).....120000  
     Section Modulus (per rail) (cu in).....16.979  
     RBM (per rail) (lbf-in) ..... 2037600  
 Inner Frame Reinforcement (547) ..... NO INNER FRAME REINFORCEMENT  
 Outer Frame Reinforcement (548) ..... NO OUTER FRAME REINFORCEMENT

**TABLE SUMMARY - FRAME RBM**

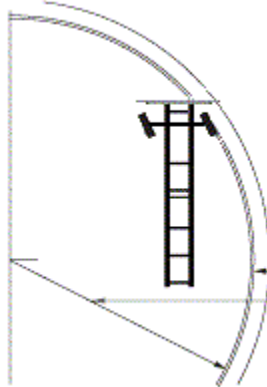
Item	Description / Value
Wheelbase	4875MM (192 INCH) WHEELBASE
Frame	11/32X3-1/2X10-15/16 INCH STEEL FRAME (8.73MMX277.8MM/0.344X10.94 INCH) 120KSI
Inner Frame Reinforcement	NO INNER FRAME REINFORCEMENT
Outer Frame Reinforcement	NO OUTER FRAME REINFORCEMENT
Yield Strength (psi)	120000
Section Modulus - per rail (cu. in.)	16.98
Frame RBM - per rail (lbf-in)	2037600

Performance calculations are estimates only. If performance calculations are critical, please contact Customer Application Engineering.

Prepared for:  
 Scott Staniszewski  
 Alamo Group Super Products  
 17000 W Cleveland  
 New Berlin, WI 53151  
 Phone: 2627847100

Prepared by:  
 Tony Bodway  
 TRUCK COUNTRY OF  
 WISCONSIN, INC.  
 2222 WEST RYAN ROAD  
 OAK CREEK, WI 53154  
 Phone: 414-761-3384

## TURNING RADIUS



Turning radius graphic and data provided strictly for comparisons between model configurations. Weather, road surfaces, and tire treads affect the results. It is strongly suggested that actual vehicles be measured before constructing any roads/driveways using this information. For specific figures regarding your configuration, please contact your CAE representative.

	Dimensions	Tolerance
Wall to Wall Diameter (ft)	53.3	+/- 3.0
Curb to Curb Diameter (ft)	51.6	+/- 3.0
Turning Radius (ft)	25.3	+/- 1.5

### VEHICLE SPECIFICATIONS SUMMARY - TURNING RADIUS

Model .....	M2106
Cab Size (829) .....	106 INCH BBC FLAT ROOF ALUMINUM CONVENTIONAL CAB
Wheelbase (545) .....	4875MM (192 INCH) WHEELBASE
Front Tires (093) .....	HANKOOK DL11 11R22.5 16 PLY RADIAL FRONT TIRES
Width (in) .....	11.1
Front Axle (400) .....	DETROIT DA-F-13.0-3 13,000# FF1 71.5 KPI/3.74 DROP SINGLE FRONT AXLE
Kingpin Intersection (in) .....	71.5
Bumper (556) .....	THREE-PIECE 14 INCH PAINTED STEEL BUMPER WITH COLLAPSIBLE ENDS
Width (in) .....	93.5
Bumper Miter to Front Axle (in) .....	21.458
Primary Steering Location (003) .....	LH PRIMARY STEERING LOCATION
Steering Gear (536) .....	TRW THP-60 POWER STEERING
Dual Steering Gear .....	NONE
Ram .....	NONE
Rear Axle (420) .....	DETROIT DA-RS-20.0-4 20,000# R-SERIES SINGLE REAR AXLE
Axle Spacing (624) .....	NO AXLE SPACING

Performance calculations are estimates only. If performance calculations are critical, please contact Customer Application Engineering.