

Prepared for:
Larry Daub
Super Products Alamo Group
17000 W Cleveland
New Berlin, WI 53151
Phone: 2627847100

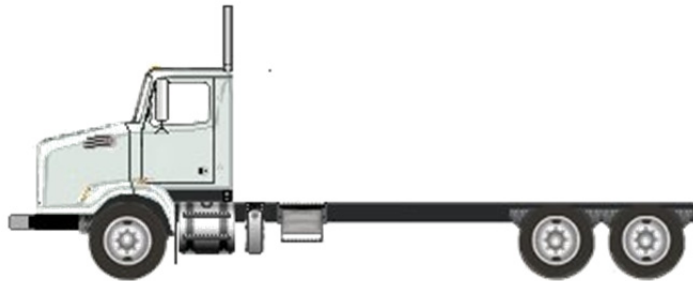
Prepared by:
Tony Bodway
TRUCK COUNTRY OF
WISCONSIN
9202 N. 107TH STREET
MILWAUKEE, WI 53224
Phone: 414-761-3384

A proposal for
Super Products Alamo Group

Prepared by
TRUCK COUNTRY OF WISCONSIN
Tony Bodway

Jan 30, 2017

Western Star 4700SB



Components shown may not reflect all spec'd options and are not to scale

Prepared for:
 Larry Daub
 Super Products Alamo Group
 17000 W Cleveland
 New Berlin, WI 53151
 Phone: 2627847100

Prepared by:
 Tony Bodway
 TRUCK COUNTRY OF
 WISCONSIN
 9202 N. 107TH STREET
 MILWAUKEE, WI 53224
 Phone: 414-761-3384

S P E C I F I C A T I O N P R O P O S A L

Data Code	Description	Weight Front	Weight Rear
Price Level			
PRL-15T	WESTERN STAR 4700 PRL-15T (EFF:10/25/16)		
Data Version			
DRL-009	SPECPRO21 DATA RELEASE VER 009		
Vehicle Configuration			
001-451	4700 SET-BACK FRONT AXLE CHASSIS	9,215	6,630
004-218	2018 MODEL YEAR SPECIFIED		
002-004	SET BACK AXLE - TRUCK		
019-002	STRAIGHT TRUCK PROVISION		
003-001	LH PRIMARY STEERING LOCATION		
General Service			
AA1-002	TRUCK CONFIGURATION		
AA6-001	DOMICILED, USA 50 STATES (INCLUDING CALIFORNIA AND CARB OPT-IN STATES)		
A85-010	UTILITY/REPAIR/MAINTENANCE SERVICE		
A84-1UT	UTILITY BUSINESS SEGMENT		
AA4-002	LIQUID BULK COMMODITY		
AA5-002	TERRAIN/DUTY: 100% (ALL) OF THE TIME, IN TRANSIT, IS SPENT ON PAVED ROADS		
AB1-008	MAXIMUM 8% EXPECTED GRADE		
AB5-001	SMOOTH CONCRETE OR ASPHALT PAVEMENT - MOST SEVERE IN-TRANSIT (BETWEEN SITES) ROAD SURFACE		
995-1A5	WESTERN STAR VOCATIONAL WARRANTY		
A66-99D	EXPECTED FRONT AXLE(S) LOAD : 20000.0 lbs		
A68-99D	EXPECTED REAR DRIVE AXLE(S) LOAD : 40000.0 lbs		
A63-99D	EXPECTED GROSS VEHICLE WEIGHT CAPACITY : 60000.0 lbs		
Truck Service			
AA3-034	SEWER/INDUSTRIAL VACUUM BODY		

Prepared for:
 Larry Daub
 Super Products Alamo Group
 17000 W Cleveland
 New Berlin, WI 53151
 Phone: 2627847100

Prepared by:
 Tony Bodway
 TRUCK COUNTRY OF
 WISCONSIN
 9202 N. 107TH STREET
 MILWAUKEE, WI 53224
 Phone: 414-761-3384

Data Code	Description	Weight Front	Weight Rear
Engine			
101-22V	CUM L9 370 HP @ 2000 RPM, 2100 GOV RPM, 1250 LB/FT @ 1400 RPM	-850	-70
Electronic Parameters			
79A-075	75 MPH ROAD SPEED LIMIT		
79B-000	CRUISE CONTROL SPEED LIMIT SAME AS ROAD SPEED LIMIT		
79K-005	PTO MODE ENGINE RPM LIMIT - 900 RPM		
79P-002	PTO RPM WITH CRUISE SET SWITCH - 700 RPM		
79Q-002	PTO RPM WITH CRUISE RESUME SWITCH - 700 RPM		
79S-001	PTO MODE CANCEL VEHICLE SPEED - 5 MPH		
79U-007	PTO GOVERNOR RAMP RATE - 250 RPM PER SECOND		
79V-001	ENABLE REGENERATION IN PTO MODE		
79W-002	TWO REMOTE PTO SPEEDS		
79X-001	REMOTE PTO SPEED 1 SETTING - 700 RPM		
79Y-001	REMOTE PTO SPEED 2 SETTING - 900 RPM		
80G-002	PTO MINIMUM RPM - 700		
80J-001	REGEN INHIBIT SPEED THRESHOLD - 0 MPH		
Engine Equipment			
99C-017	2016 ONBOARD DIAGNOSTICS/2010 EPA/CARB/FINAL GHG17 CONFIGURATION		
99D-011	2008 CARB EMISSION CERTIFICATION - CLEAN IDLE (INCLUDES 6X4 INCH LABEL ON LOWER FORWARD CORNER OF DRIVER DOOR)		
13E-001	STANDARD OIL PAN		
105-001	ENGINE MOUNTED OIL CHECK AND FILL		
133-004	ONE PIECE VALVE COVER		
014-1B5	SIDE OF HOOD AIR INTAKE WITH DONALDSON HIGH CAPACITY AIR CLEANER WITH SAFETY ELEMENT, FIREWALL MOUNTED		
124-1D7	DR 12V 160 AMP 28-SI QUADRAMOUNT PAD ALTERNATOR WITH REMOTE BATTERY VOLT SENSE		
292-058	(3) ALLIANCE MODEL 1031, GROUP 31, 12 VOLT MAINTENANCE FREE 2280 CCA THREADED STUD BATTERIES	-10	
290-017	BATTERY BOX FRAME MOUNTED	35	

Prepared for:
 Larry Daub
 Super Products Alamo Group
 17000 W Cleveland
 New Berlin, WI 53151
 Phone: 2627847100

Prepared by:
 Tony Bodway
 TRUCK COUNTRY OF
 WISCONSIN
 9202 N. 107TH STREET
 MILWAUKEE, WI 53224
 Phone: 414-761-3384

	Data Code	Description	Weight Front	Weight Rear
	282-042	LH BATTERY BOX MOUNTED AS FAR AFT AS POSSIBLE, NO GREATER THAN 60 INCHES BACK OF CAB		
	291-017	WIRE GROUND RETURN FOR BATTERY CABLES WITH ADDITIONAL FRAME GROUND RETURN		
	289-001	NON-POLISHED BATTERY BOX COVER		
N	293-061	POSITIVE LOAD DISCONNECT WITH CONTROL SWITCH WITH LOCKING PROVISION MOUNTED OUTSIDE OF CAB	2	
	107-032	CUMMINS TURBOCHARGED 18.7 CFM AIR COMPRESSOR WITH INTERNAL SAFETY VALVE		
	131-013	AIR COMPRESSOR DISCHARGE LINE		
	152-041	ELECTRONIC ENGINE INTEGRAL SHUTDOWN PROTECTION SYSTEM		
	128-076	CUMMINS EXHAUST BRAKE INTEGRAL WITH VARIABLE GEOMETRY TURBO WITH ON/OFF DASH SWITCH	20	
	016-1C2	RH OUTBOARD UNDER STEP MOUNTED HORIZONTAL AFTERTREATMENT SYSTEM ASSEMBLY WITH RH B-PILLAR MOUNTED VERTICAL TAILPIPE		
	28F-007	ENGINE AFTERTREATMENT DEVICE, AUTOMATIC OVER THE ROAD ACTIVE REGENERATION AND DASH MOUNTED SINGLE REGENERATION REQUEST/INHIBIT SWITCH		
	239-020	10 FOOT 00 INCH (120 INCH+0/-5.9 INCH) EXHAUST SYSTEM HEIGHT		
	237-1CR	RH CURVED VERTICAL TAILPIPE B-PILLAR MOUNTED ROUTED FROM STEP		
	23U-001	6 GALLON DIESEL EXHAUST FLUID TANK		
	30N-003	100 PERCENT DIESEL EXHAUST FLUID FILL		
	23Y-002	DIESEL EXHAUST FLUID PUMP MOUNTED AFT OF DIESEL EXHAUST FLUID TANK		
	43X-002	LH MEDIUM DUTY STANDARD DIESEL EXHAUST FLUID TANK LOCATION		
	242-001	STAINLESS STEEL AFTERTREATMENT DEVICE/MUFFLER/TAILOPIPE SHIELD		
	273-048	HORTON 2-SPEED DRIVEMASTER ADVANTAGE POLAREXTREME FAN DRIVE		
	276-001	AUTOMATIC FAN CONTROL WITHOUT DASH SWITCH, NON ENGINE MOUNTED		
	110-003	CUMMINS SPIN ON FUEL FILTER		
	118-008	COMBINATION FULL FLOW/BYPASS OIL FILTER		
	266-017	1300 SQUARE INCH ALUMINUM RADIATOR	-20	

Prepared for:
 Larry Daub
 Super Products Alamo Group
 17000 W Cleveland
 New Berlin, WI 53151
 Phone: 2627847100

Prepared by:
 Tony Bodway
 TRUCK COUNTRY OF
 WISCONSIN
 9202 N. 107TH STREET
 MILWAUKEE, WI 53224
 Phone: 414-761-3384

Data Code	Description	Weight Front	Weight Rear
267-006	MOUNTING FOR FIREWALL MOUNTED SURGE TANK		
103-039	ANTIFREEZE TO -34F, OAT (NITRITE AND SILICATE FREE) EXTENDED LIFE COOLANT		
171-007	GATES BLUE STRIPE COOLANT HOSES OR EQUIVALENT		
172-001	CONSTANT TENSION HOSE CLAMPS FOR COOLANT HOSES		
270-016	RADIATOR DRAIN VALVE		
168-998	NO RADIATOR/OIL PAN GUARD	-5	
138-011	PHILLIPS-TEMRO 1000 WATT/115 VOLT BLOCK HEATER	4	
166-998	NO OIL PREHEATER		
140-022	CHROME ENGINE HEATER RECEPTACLE MOUNTED UNDER LH DOOR		
134-001	ALUMINUM FLYWHEEL HOUSING		
132-004	ELECTRIC GRID AIR INTAKE WARMER		
155-058	DELCO 12V 38MT HD STARTER WITH INTEGRATED MAGNETIC SWITCH	-10	

Transmission

342-582	ALLISON 3000 RDS AUTOMATIC TRANSMISSION WITH PTO PROVISION	-110	-35
---------	--	------	-----

Transmission Equipment

343-338	ALLISON VOCATIONAL PACKAGE 222 - AVAILABLE ON 3000/4000 PRODUCT FAMILIES WITH VOCATIONAL MODEL RDS		
84B-012	ALLISON VOCATIONAL RATING FOR ON/OFF HIGHWAY APPLICATIONS AVAILABLE WITH ALL PRODUCT FAMILIES		
84C-023	PRIMARY MODE GEARS, LOWEST GEAR 1, START GEAR 1, HIGHEST GEAR 6, AVAILABLE FOR 3000/4000 PRODUCT FAMILIES ONLY		
84D-023	SECONDARY MODE GEARS, LOWEST GEAR 1, START GEAR 1, HIGHEST GEAR 6, AVAILABLE FOR 3000/4000 PRODUCT FAMILIES ONLY		
84E-000	PRIMARY SHIFT SCHEDULE RECOMMENDED BY DTNA AND ALLISON, THIS DEFINED BY ENGINE AND VOCATIONAL USAGE		
84F-000	SECONDARY SHIFT SCHEDULE RECOMMENDED BY DTNA AND ALLISON, THIS DEFINED BY ENGINE AND VOCATIONAL USAGE		
84G-000	PRIMARY SHIFT SPEED RECOMMENDED BY DTNA AND ALLISON, THIS DEFINED BY ENGINE AND VOCATIONAL USAGE		

Prepared for:
 Larry Daub
 Super Products Alamo Group
 17000 W Cleveland
 New Berlin, WI 53151
 Phone: 2627847100

Prepared by:
 Tony Bodway
 TRUCK COUNTRY OF
 WISCONSIN
 9202 N. 107TH STREET
 MILWAUKEE, WI 53224
 Phone: 414-761-3384

Data Code	Description	Weight Front	Weight Rear
84H-000	SECONDARY SHIFT SPEED RECOMMENDED BY DTNA AND ALLISON, THIS DEFINED BY ENGINE AND VOCATIONAL USAGE		
84L-010	DISABLE - LOAD BASED SHIFT SCHEDULE, DISABLE - VEHICLE ACCELERATION CONTROL		
353-061	BODY LIGHTING INTERFACE BLUNT CUT WIRING WITH FUSE PANEL WIRE MOUNTED BETWEEN DRIVER AND PASSENGER SEATS WITH ADDITIONAL 150 AMP SERVICE		
34C-001	ELECTRONIC TRANSMISSION CUSTOMER ACCESS CONNECTOR FIREWALL MOUNTED		
* 362-818	CUSTOMER INSTALLED CHELSEA 870 SERIES PTO		
363-001	PTO MOUNTING, LH SIDE OF MAIN TRANSMISSION		
341-018	MAGNETIC PLUGS, ENGINE DRAIN, TRANSMISSION DRAIN, AXLE(S) FILL AND DRAIN		
345-003	PUSH BUTTON ELECTRONIC SHIFT CONTROL, DASH MOUNTED		
97G-004	TRANSMISSION PROGNOSTICS - ENABLED 2013		
370-015	WATER TO OIL TRANSMISSION COOLER, IN RADIATOR END TANK		
346-003	TRANSMISSION OIL CHECK AND FILL WITH ELECTRONIC OIL LEVEL CHECK		
35T-001	SYNTHETIC TRANSMISSION FLUID (TES-295 COMPLIANT)		

Front Axle and Equipment

400-1BB	DETROIT DA-F-20.0-5 20,000# FL1 71.0 KPI/3.74 DROP SINGLE FRONT AXLE		
402-030	MERITOR 16.5X6 Q+ CAST SPIDER CAM FRONT BRAKES, DOUBLE ANCHOR, FABRICATED SHOES		
403-002	NON-ASBESTOS FRONT BRAKE LINING		
419-023	CONMET CAST IRON FRONT BRAKE DRUMS		
409-021	SKF SCOTSEAL PLUS XL FRONT OIL SEALS		
408-001	VENTED FRONT HUB CAPS WITH WINDOW, CENTER AND SIDE PLUGS - OIL		
416-022	STANDARD SPINDLE NUTS FOR ALL AXLES		
405-007	BENDIX VERSAJUST AUTOMATIC FRONT SLACK ADJUSTERS		
406-001	STANDARD KING PIN BUSHINGS		
536-055	TRW THP-60 POWER STEERING WITH RCH45 AUXILIARY GEAR	90	

Prepared for:
 Larry Daub
 Super Products Alamo Group
 17000 W Cleveland
 New Berlin, WI 53151
 Phone: 2627847100

Prepared by:
 Tony Bodway
 TRUCK COUNTRY OF
 WISCONSIN
 9202 N. 107TH STREET
 MILWAUKEE, WI 53224
 Phone: 414-761-3384

Data Code	Description	Weight Front	Weight Rear
539-003	POWER STEERING PUMP		
534-003	4 QUART POWER STEERING RESERVOIR		
533-001	OIL/AIR POWER STEERING COOLER		
40T-001	ORGANIC SAE 80/90 FRONT AXLE LUBE		
Front Suspension			
620-006	20,000# FLAT LEAF FRONT SUSPENSION	50	
619-004	GRAPHITE BRONZE BUSHINGS WITH SEALS - FRONT SUSPENSION		
410-001	FRONT SHOCK ABSORBERS		
Rear Axle and Equipment			
420-1K3	MT-40-14X 40,000# R-SERIES TANDEM REAR AXLE		-40
421-529	5.29 REAR AXLE RATIO		
424-003	IRON REAR AXLE CARRIER WITH OPTIONAL HEAVY DUTY AXLE HOUSING		
* 385-005	DRIVELINE SPACER FOR CUSTOMER FURNISHED EQUIPMENT		
	SUPER PRODUCTS TANDEM 12YD SPACER WORKSHEET		
386-073	MXL 17T MERITOR EXTENDED LUBE MAIN DRIVELINE WITH HALF ROUND YOKES	60	60
388-073	MXL 17T MERITOR EXTENDED LUBE INTERAXLE DRIVELINE WITH HALF ROUND YOKES		
878-019	(1) INTERAXLE LOCK VALVE FOR TANDEM OR TRIDEM DRIVE AXLES		
87A-005	INDICATOR LIGHT FOR EACH INTERAXLE LOCKOUT SWITCH		
423-020	MERITOR 16.5X7 Q+ CAST SPIDER CAM REAR BRAKES, DOUBLE ANCHOR, FABRICATED SHOES		
433-002	NON-ASBESTOS REAR BRAKE LINING		
434-003	STANDARD BRAKE CHAMBER LOCATION		
451-023	CONMET CAST IRON REAR BRAKE DRUMS		
440-021	SKF SCOTSEAL PLUS XL REAR OIL SEALS		
426-075	HALDEX GOLDSEAL LONGSTROKE 2-DRIVE AXLES SPRING PARKING CHAMBERS		
428-007	BENDIX VERSAJUST AUTOMATIC REAR SLACK ADJUSTERS		
41T-001	ORGANIC SAE 80/90 REAR AXLE LUBE		
Rear Suspension			
622-1CH	HENDRICKSON RT403 @40,000# REAR SUSPENSION		640

Prepared for:
 Larry Daub
 Super Products Alamo Group
 17000 W Cleveland
 New Berlin, WI 53151
 Phone: 2627847100

Prepared by:
 Tony Bodway
 TRUCK COUNTRY OF
 WISCONSIN
 9202 N. 107TH STREET
 MILWAUKEE, WI 53224
 Phone: 414-761-3384

Data Code	Description	Weight Front	Weight Rear
621-015	HENDRICKSON RT/RTE - 6.00" SADDLE		
431-001	STANDARD AXLE SEATS IN AXLE CLAMP GROUP		
624-009	54 INCH AXLE SPACING		10
628-004	STEEL BEAMS AND RUBBER CENTER BUSHINGS WITH BAR PIN ADJUSTABLE END CONNECTIONS		
623-005	FORE/AFT CONTROL RODS		
Brake System			
490-100	WABCO 4S/4M ABS WITHOUT TRACTION CONTROL		
871-001	REINFORCED NYLON, FABRIC BRAID AND WIRE BRAID CHASSIS AIR LINES		
904-001	FIBER BRAID PARKING BRAKE HOSE		
412-001	STANDARD BRAKE SYSTEM VALVES		
432-003	RELAY VALVE WITH 5-8 PSI CRACK PRESSURE, NO REAR PROPORTIONING VALVE		
480-009	BW AD-9 BRAKE LINE AIR DRYER WITH HEATER	20	
483-998	NO AIR SYSTEM OIL FILTER		
* 479-007	AIR DRYER MOUNTED OUTBOARD ON RH RAIL BACK OF CAB		
* 460-014	STEEL AIR TANKS MOUNTED BELOW FRAME RAILS	5	5
	TRIPPLE TANK RH RAIL MOUNTED AS FAR FOWARD AS POSSIBLE		
477-001	PULL CABLE ON WET TANK, PETCOCK DRAIN VALVES ON ALL OTHER AIR TANKS		
Wheelbase & Frame			
545-640	6400MM (252 INCH) WHEELBASE		
* 546-101	11/32X3-1/2X10-15/16 INCH STEEL FRAME (8.73MMX277.8MM/0.344X10.94 INCH) 120KSI	670	-210
547-001	1/4 INCH (6.35MM) C-CHANNEL INNER FRAME REINFORCEMENT	245	426
N 552-023	1325MM (52 INCH) REAR FRAME OVERHANG		
55W-005	FRAME OVERHANG RANGE: 51 INCH TO 60 INCH	20	-70
549-016	24 INCH INTEGRAL FRONT FRAME EXTENSION WITH 0.25 INCH INSERT	320	-60
AC8-99D	CALC'D BACK OF CAB TO REAR SUSP C/L (CA) : 188.69 in		
AE8-99D	CALCULATED EFFECTIVE BACK OF CAB TO REAR SUSPENSION C/L (CA) : 185.69 in		
AE4-99D	CALC'D FRAME LENGTH - OVERALL : 373.61		

Prepared for:
 Larry Daub
 Super Products Alamo Group
 17000 W Cleveland
 New Berlin, WI 53151
 Phone: 2627847100

Prepared by:
 Tony Bodway
 TRUCK COUNTRY OF
 WISCONSIN
 9202 N. 107TH STREET
 MILWAUKEE, WI 53224
 Phone: 414-761-3384

Data Code	Description	Weight Front	Weight Rear
AM6-99D	CALC'D SPACE AVAILABLE FOR DECKPLATE : 188.69 in		
FSS-0LH	CALCULATED FRAME SPACE LH SIDE : 111.22 in		
FSS-0RH	CALCULATED FRAME SPACE RH SIDE : 181.0 in		
553-001	SQUARE END OF FRAME		
559-001	STANDARD WEIGHT ENGINE CROSSMEMBER		
561-001	STANDARD CROSSMEMBER BACK OF TRANSMISSION		
562-001	STANDARD MIDSHIP #1 CROSSMEMBER(S)		
572-001	STANDARD REAR MOST CROSSMEMBER		
565-002	HEAVY DUTY SUSPENSION CROSSMEMBER		
568-001	STANDARD WEIGHT REAR SUSPENSION CROSSMEMBER		

Chassis Equipment

556-997	OMIT FRONT BUMPER, CUSTOMER INSTALLED SPECIAL BUMPER, DOES NOT COMPLY WITH FMCSR 393.203	-110	
586-015	FRONT ANTI-SPRAY CAB MOUNTED MUDFLAPS		
551-007	GRADE 8 THREADED HEX HEADED FRAME FASTENERS		
* 606-125	DRLG PREP FOR SUPER PRODUCTS PER DWG 0024917, REV F, 06/18/2015		

Fuel Tanks

204-151	60 GALLON/227 LITER ALUMINUM FUEL TANK - LH		
218-006	25 INCH DIAMETER FUEL TANK(S)		
215-005	PLAIN ALUMINUM/PAINTED STEEL FUEL/HYDRAULIC TANK(S) WITH PAINTED BANDS		
212-007	FUEL TANK(S) FORWARD		
664-001	PLAIN STEP FINISH		
205-001	FUEL TANK CAP(S)		
122-1H8	DAVCO 245 FUEL/WATER SEPARATOR WITH 12 VLT HEAT AND WATER IN FUEL SENSOR	20	
216-020	EQUIFLO INBOARD FUEL SYSTEM		
202-016	HIGH TEMPERATURE REINFORCED NYLON FUEL LINE		
221-998	NO FUEL COOLER	-10	

Tires

Prepared for:
 Larry Daub
 Super Products Alamo Group
 17000 W Cleveland
 New Berlin, WI 53151
 Phone: 2627847100

Prepared by:
 Tony Bodway
 TRUCK COUNTRY OF
 WISCONSIN
 9202 N. 107TH STREET
 MILWAUKEE, WI 53224
 Phone: 414-761-3384

Data Code	Description	Weight Front	Weight Rear
093-0TB	MICHELIN XZY-3 425/65R22.5 20 PLY RADIAL FRONT TIRES	196	
094-0DH	MICHELIN XDE M/S 11R22.5 14 PLY RADIAL REAR TIRES		56

Hubs

418-056	CONMET PRESET PLUS IRON FRONT HUBS
450-056	CONMET PRESET PLUS IRON REAR HUBS

Wheels

502-574	ACCURIDE 29807 22.5X12.25 10-HUB PILOT 4.75 INSET 5-HAND STEEL DISC FRONT WHEELS	98
505-1F2	22.5X8.25 10-HUB PILOT 2-HAND STEEL DISC REAR WHEELS	
496-011	FRONT WHEEL MOUNTING NUTS	
497-011	REAR WHEEL MOUNTING NUTS	

Cab Exterior

829-1A8	110 INCH BBC STEEL CONVENTIONAL CAB	
82A-023	WESTERN STAR PAINTED ALUMINUM CAB SKIRT	
650-044	AIR CAB MOUNTS WITH CHECK VALVE	
648-002	NONREMOVABLE BUGSCREEN MOUNTED BEHIND GRILLE	
667-001	FRONT FENDERS	
754-001	2 INCH FENDER EXTENSIONS	5
678-039	LH AND RH EXTERIOR GRAB HANDLES WITH RUBBER INSERT AND LH AND RH INTERIOR GRAB HANDLES MOUNTED TO A POST	
646-008	STATIONARY BRIGHT FINISH GRILLE	
65X-003	CHROME HOOD MOUNTED AIR INTAKE GRILLE	
640-009	HEAVY DUTY STEEL CAB FLOOR	
644-004	FIBERGLASS HOOD	
690-007	HOOD LINER INSULATION WITH SINGLE FIREWALL INSULATION	
727-096	DUAL ROUND AIR HORNS, SINGLE BASE, MOUNTED UNDER CAB	
726-001	SINGLE ELECTRIC HORN	
657-1AF	DOORS AND IGNITION KEYED THE SAME (3 KEYS)	
575-001	REAR LICENSE PLATE MOUNT END OF FRAME	
312-072	SINGLE RECTANGULAR SEALED BEAM HEADLIGHTS WITH BRIGHT BEZELS	
302-022	LED MARKER LAMPS	

Prepared for:
 Larry Daub
 Super Products Alamo Group
 17000 W Cleveland
 New Berlin, WI 53151
 Phone: 2627847100

Prepared by:
 Tony Bodway
 TRUCK COUNTRY OF
 WISCONSIN
 9202 N. 107TH STREET
 MILWAUKEE, WI 53224
 Phone: 414-761-3384

Data Code	Description	Weight Front	Weight Rear
311-001	DAYTIME RUNNING LIGHTS		
294-001	INTEGRAL STOP/TAIL/BACKUP LIGHTS		
300-015	STANDARD FRONT TURN SIGNAL LAMPS		
744-008	DUAL STAINLESS STEEL HEATED MIRRORS		
797-001	DOOR MOUNTED MIRRORS		
796-001	102 INCH EQUIPMENT WIDTH		
743-1AC	LH AND RH 8 INCH STAINLESS STEEL CONVEX MIRRORS MOUNTED BELOW PRIMARY MIRRORS		
74A-998	NO AUXILIARY MIRROR		
729-001	STANDARD SIDE/REAR REFLECTORS		
787-020	ELECTRIC DOOR LOCKS, MECHANICAL KEY TUMBLER		
768-046	17.5X35 INCH TINTED REAR WINDOW		
661-006	TINTED DOOR GLASS		
654-011	RH AND LH ELECTRIC POWERED WINDOWS	4	
663-014	2-PIECE TINTED CURVED BONDED WINDSHIELD		
659-025	2 GALLON WINDSHIELD WASHER RESERVOIR WITHOUT FLUID LEVEL INDICATOR, MOUNTED UNDER CAB, WITH REMOTE FILL		

Cab Interior

707-1D0	GRAY VINYL BASE INTERIOR		
70K-005	BLACK HARD TRIM		
706-049	BASE LEFT HAND DOOR TRIM		
708-049	BASE RIGHT HAND DOOR TRIM		
772-006	BLACK MATS WITH SINGLE INSULATION		
785-016	DASH MOUNTED ASH TRAY AND (1) POWER OUTLET		
691-001	FORWARD ROOF MOUNTED CONSOLE		
694-009	PASSENGER SIDE WING DASH MOUNTED GLOVE BOX WITH LOCKING DOOR		
697-012	14"X7.75" DOCUMENT POUCH MOUNTED ON BACK WALL BETWEEN SEATS		
693-025	LH AND RH DOOR MAP POCKETS		
741-029	COAT HOOK ON RH BACKWALL OF CAB		
742-026	(1) CUP HOLDER MOUNTED IN BOTTOM CENTER OF DASH		
680-034	TWO-TONE CHARCOAL UPPER/COOL GRAY LOWER SOFT TOUCH WING DASH WITH BLACK DRIVER SIDE COSMETIC UNDER DASH COVER		
320-004	STANDARD WIRING		

Prepared for:
 Larry Daub
 Super Products Alamo Group
 17000 W Cleveland
 New Berlin, WI 53151
 Phone: 2627847100

Prepared by:
 Tony Bodway
 TRUCK COUNTRY OF
 WISCONSIN
 9202 N. 107TH STREET
 MILWAUKEE, WI 53224
 Phone: 414-761-3384

Data Code	Description	Weight Front	Weight Rear
720-003	5 LB. FIRE EXTINGUISHER	10	
700-023	HEATER, DEFROSTER AND AIR CONDITIONER WITH CONSTANT TEMPERATURE CONTROL AND COSMETIC COVER		
701-010	HVAC DUCTING WITH FOAM MAIN FRESH AIR FILTER AND OUTSIDE PRE-FILTER		
703-005	MAIN HVAC CONTROLS WITH RECIRCULATION SWITCH		
170-015	STANDARD HEATER PLUMBING		
130-033	DENSO HEAVY DUTY AIR CONDITIONER COMPRESSOR		
698-001	RADIATOR MOUNTED AIR CONDITIONER CONDENSER		
702-002	BINARY CONTROL, R-134A		
739-001	CAB INSULATION		
285-019	AUTOMATIC SELF-RESET CIRCUIT BREAKER IN MAIN DASH POWER DISTRIBUTION BOX AND CIRCUIT BREAKER/FUSE IN AUXILIARY POWER DISTRIBUTION BOXES		
324-075	DOOR ACTIVATED DOME LIGHT, UNDER DASH LIGHT AND LH AND RH DOOR MOUNTED COURTESY LIGHTS		
655-005	LH AND RH ELECTRIC DOOR LOCKS		
284-023	(1) 12 VOLT POWER SUPPLY IN DASH		
722-028	TRIANGULAR REFLECTORS KIT WITHOUT FLARES SHIPPED LOOSE IN CAB	10	
756-1DD	BASIC HIGH BACK AIR SUSPENSION DRIVER SEAT WITH 1 CHAMBER AIR LUMBAR, INTEGRATED CUSHION EXTENSION AND REAR CUSHION TILT		
760-1DD	BASIC HIGH BACK AIR SUSPENSION PASSENGER SEAT WITH 1 CHAMBER AIR LUMBAR, INTEGRATED CUSHION EXTENSION AND REAR CUSHION TILT	25	10
759-005	DUAL DRIVER AND PASSENGER SEAT ARMRESTS	8	
758-014	BLACK CORDURA PLUS CLOTH DRIVER SEAT COVER		
761-014	BLACK CORDURA PLUS CLOTH PASSENGER SEAT COVER		
763-003	3 POINT DRIVER AND PASSENGER SEAT BELT RETRACTORS		
532-002	ADJUSTABLE TILT AND TELESCOPING STEERING COLUMN		

Prepared for:
 Larry Daub
 Super Products Alamo Group
 17000 W Cleveland
 New Berlin, WI 53151
 Phone: 2627847100

Prepared by:
 Tony Bodway
 TRUCK COUNTRY OF
 WISCONSIN
 9202 N. 107TH STREET
 MILWAUKEE, WI 53224
 Phone: 414-761-3384

Data Code	Description	Weight Front	Weight Rear
540-020	2-SPOKE 18 INCH (450MM) BLACK STEERING WHEEL(S)		
765-002	DRIVER AND PASSENGER INTERIOR SUN VISORS		

Instruments & Controls

	185-002	NON-ADJUSTABLE SUSPENDED PEDALS		
	87L-001	ENGINE REMOTE INTERFACE WITH PARK BRAKE INTERLOCK		
	870-004	STAR GAUGES WITH BLACK BEZELS		
	732-001	BLACK DRIVER INSTRUMENT PANEL		
	734-001	BLACK CENTER INSTRUMENT PANEL		
	486-001	LOW AIR PRESSURE INDICATOR LIGHT AND AUDIBLE ALARM		
	840-002	2 INCH PRIMARY AND SECONDARY AIR PRESSURE GAUGES		
	198-002	INTAKE MOUNTED AIR RESTRICTION INDICATOR WITH GRADUATIONS		
	149-012	CRUISE CONTROL SWITCHES IN THE CENTER PANEL		
	156-007	KEY OPERATED IGNITION SWITCH AND INTEGRAL START POSITION; 4 POSITION OFF/RUN/START/ACCESSORY		
	811-001	WARNING LAMP/LIGHT BAR DISPLAY, NON-DATA LINKED		
	160-038	HEAVY DUTY ONBOARD DIAGNOSTICS INTERFACE CONNECTOR LOCATED BELOW LH DASH		
	844-001	2 INCH ELECTRIC FUEL GAUGE		
	148-073	ENGINE REMOTE INTERFACE FOR REMOTE THROTTLE		
	163-013	ENGINE REMOTE INTERFACE CONNECTOR IN CAB BETWEEN DRIVER AND PASSENGER SEATS		
	856-001	ELECTRICAL ENGINE COOLANT TEMPERATURE GAUGE		
	864-001	2 INCH TRANSMISSION OIL TEMPERATURE GAUGE		
N	372-051	CUSTOMER FURNISHED AND INSTALLED PTO CONTROLS		
	852-002	ELECTRIC ENGINE OIL PRESSURE GAUGE		
	746-1B0	AM/FM/WB RADIO WITH CD PLAYER, BLUETOOTH AND MICROPHONE, USB, FRONT AND REAR AUXILIARY INPUTS AND J1939	10	
	747-002	ROOF/OVERHEAD CONSOLE MOUNTED RADIO		

Prepared for:
 Larry Daub
 Super Products Alamo Group
 17000 W Cleveland
 New Berlin, WI 53151
 Phone: 2627847100

Prepared by:
 Tony Bodway
 TRUCK COUNTRY OF
 WISCONSIN
 9202 N. 107TH STREET
 MILWAUKEE, WI 53224
 Phone: 414-761-3384

Data Code	Description	Weight Front	Weight Rear
750-004	(4) RADIO SPEAKERS IN CAB		
753-021	AM/FM ANTENNA MOUNTED ON LH FRONT A-PILLAR	2	
748-998	NO CB RADIO/PROVISION		
752-998	NO CB ANTENNA, BRACKET OR LEAD		
810-042	ELECTRONIC MPH SPEEDOMETER WITH SECONDARY KPH SCALE, WITH ODOMETER		
817-001	STANDARD VEHICLE SPEED SENSOR		
812-003	ELECTRONIC 3000 RPM TACHOMETER WITH HOUR METER		
813-998	NO VEHICLE PERFORMANCE MONITOR		
162-002	IGNITION SWITCH CONTROLLED ENGINE STOP		
836-001	2 INCH VOLTMETER		
660-008	SINGLE ELECTRIC WINDSHIELD WIPER MOTOR WITH DELAY		
304-015	CAB/TRAILER MARKER LIGHT SWITCH WITH SEPARATE HEADLIGHT SWITCH		
882-009	ONE VALVE PARKING BRAKE SYSTEM WITH WARNING INDICATOR		
299-037	SELF CANCELING TURN SIGNAL SWITCH WITH INTEGRAL HEADLAMP DIMMER WITH BRAKE OVERRIDE		
298-036	PACIFIC INSIGHT ELECTRONIC FLASHER		

Design

065-000 PAINT: ONE SOLID COLOR

Color

980-5F6 CAB COLOR A: L0006EB WHITE ELITE BC
 96J-001 CAB INTERIOR PAINTED SAME AS CAB COLOR
 986-020 BLACK, HIGH SOLIDS POLYURETHANE CHASSIS PAINT
 962-972 POWDER WHITE (N0006EA) FRONT WHEELS/RIMS (PKWHT21, TKWHT21, W, TW)
 966-972 POWDER WHITE (N0006EA) REAR WHEELS/RIMS (PKWHT21, TKWHT21, W, TW)

Certification / Compliance

996-001 U.S. FMVSS CERTIFICATION, EXCEPT SALES CABS AND GLIDER KITS

Secondary Factory Options

82D-998 NO PDI INSTALLED GRILLE/HOOD TRIM

Sales Programs

Prepared for:
 Larry Daub
 Super Products Alamo Group
 17000 W Cleveland
 New Berlin, WI 53151
 Phone: 2627847100

Prepared by:
 Tony Bodway
 TRUCK COUNTRY OF
 WISCONSIN
 9202 N. 107TH STREET
 MILWAUKEE, WI 53224
 Phone: 414-761-3384

Data Code	Description	Weight Front	Weight Rear
NO SALES PROGRAMS HAVE BEEN SELECTED			

TOTAL VEHICLE SUMMARY

Weight Summary

	Weight Front	Weight Rear	Total Weight
Factory Weight ⁺	10019 lbs	7352 lbs	17371 lbs
Total Weight ⁺	10019 lbs	7352 lbs	17371 lbs

Extended Warranty

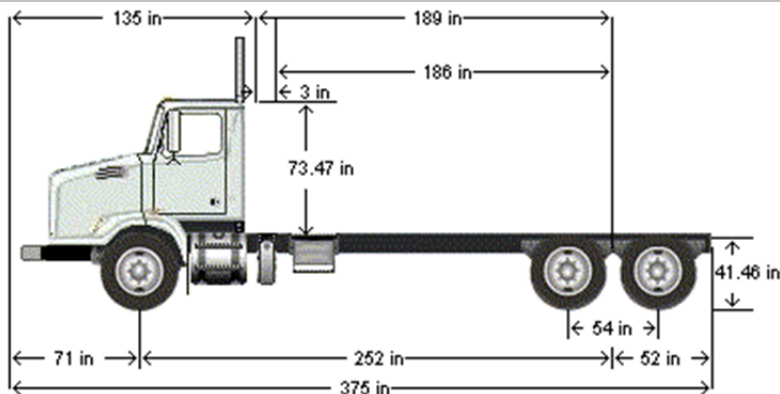
WAG-011 TOWING: 2 YEARS/UNLIMITED MILES/KM EXTENDED TOWING
 COVERAGE \$550 CAP FEX APPLIES

(+) Weights shown are estimates only.
 If weight is critical, contact Customer Application Engineering.

Prepared for:
 Larry Daub
 Super Products Alamo Group
 17000 W Cleveland
 New Berlin, WI 53151
 Phone: 2627847100

Prepared by:
 Tony Bodway
 TRUCK COUNTRY OF
 WISCONSIN
 9202 N. 107TH STREET
 MILWAUKEE, WI 53224
 Phone: 414-761-3384

D I M E N S I O N S



VEHICLE SPECIFICATIONS SUMMARY - DIMENSIONS

Model	4700SB
Wheelbase (545).....	6400MM (252 INCH) WHEELBASE
Rear Frame Overhang (552).....	1325MM (52 INCH) REAR FRAME OVERHANG
Fifth Wheel (578)	NO FIFTH WHEEL
Mounting Location (577)	NO FIFTH WHEEL LOCATION
Maximum Forward Position (in)	0
Maximum Rearward Position (in).....	0
Amount of Slide Travel (in)	0
Slide Increment (in)	0
Desired Slide Position (in).....	0.0
Cab Size (829)	110 INCH BBC STEEL CONVENTIONAL CAB
Sleeper (682)	NO SLEEPER BOX/SLEEPER CAB
Exhaust System (016).....	RH OUTBOARD UNDER STEP MOUNTED HORIZONTAL AFTERTREATMENT SYSTEM ASSEMBLY WITH RH B-PILLAR MOUNTED VERTICAL TAILPIPE

TABLE SUMMARY - DIMENSIONS

Prepared for:
 Larry Daub
 Super Products Alamo Group
 17000 W Cleveland
 New Berlin, WI 53151
 Phone: 2627847100

Prepared by:
 Tony Bodway
 TRUCK COUNTRY OF
 WISCONSIN
 9202 N. 107TH STREET
 MILWAUKEE, WI 53224
 Phone: 414-761-3384

Dimensions	Inches
Bumper to Back of Cab (BBC)	134.5
Bumper to Centerline of Front Axle (BA)	71.2
Min. Cab to Body Clearance (CB)	3.0
Back of Cab to Centerline of Rear Axle(s) (CA)	188.7
Effective Back of Cab to Centerline of Rear Axle(s) (Effective CA)	185.7
Back of Cab Protrusions (Exhaust/Intake) (CP)	2.0
Back of Cab Protrusions (Side Extenders/Trim Tab) (CP)	0.0
Back of Cab Protrusions (CNG Tank)	0.0
Back of Cab Clearance (CL)	3.0
Back of Cab to End of Frame	240.7
Cab Height (CH)	73.5
Wheelbase (WB)	252.0
Frame Overhang (OH)	52.0
Overall Length (OAL)	375.2
Rear Axle Spacing	54.0
Unladen Frame Height at Centerline of Rear Axle	41.5

Performance calculations are estimates only. If performance calculations are critical, please contact Customer Application Engineering.

Prepared for:
 Larry Daub
 Super Products Alamo Group
 17000 W Cleveland
 New Berlin, WI 53151
 Phone: 2627847100

Prepared by:
 Tony Bodway
 TRUCK COUNTRY OF
 WISCONSIN
 9202 N. 107TH STREET
 MILWAUKEE, WI 53224
 Phone: 414-761-3384

F R A M E R B M

VEHICLE SPECIFICATIONS SUMMARY - FRAME RBM

Wheelbase (545)..... 6400MM (252 INCH) WHEELBASE
 Frame Rails (546) 11/32X3-1/2X10-15/16 INCH STEEL FRAME (8.73MMX277.8MM/0.344X10.94 INCH) 120KSI(546)
 Yield Strength (psi) 120000
 Section Modulus (per rail) (cu in) 16.979
 RBM (per rail) (lbf-in) 2037600
 Inner Frame Reinforcement (547).....1/4 INCH (6.35MM) C-CHANNEL INNER FRAME REINFORCEMENT
 Outer Frame Reinforcement (548)..... NO OUTER FRAME REINFORCEMENT

TABLE SUMMARY - FRAME RBM

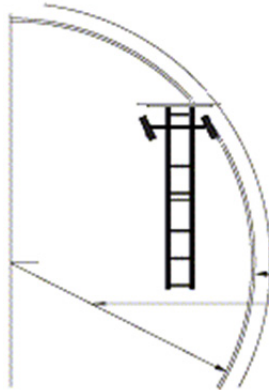
Item	Description / Value
Wheelbase	6400MM (252 INCH) WHEELBASE
Frame	11/32X3-1/2X10-15/16 INCH STEEL FRAME (8.73MMX277.8MM/0.344X10.94 INCH) 120KSI
Inner Frame Reinforcement	1/4 INCH (6.35MM) C-CHANNEL INNER FRAME REINFORCEMENT
Outer Frame Reinforcement	NO OUTER FRAME REINFORCEMENT
Yield Strength (psi)	120000
Section Modulus - per rail (cu. in.)	26.80
Frame RBM - per rail (lbf-in)	3217200

Performance calculations are estimates only. If performance calculations are critical, please contact Customer Application Engineering.

Prepared for:
 Larry Daub
 Super Products Alamo Group
 17000 W Cleveland
 New Berlin, WI 53151
 Phone: 2627847100

Prepared by:
 Tony Bodway
 TRUCK COUNTRY OF
 WISCONSIN
 9202 N. 107TH STREET
 MILWAUKEE, WI 53224
 Phone: 414-761-3384

TURNING RADIUS



Turning radius graphic and data provided for general estimate purposes only. For specific figures regarding your configuration, please contact your CAE representative.

	Left Turn	Right Turn	Tolerance
Wall to Wall Diameter (ft)	91.7	83.0	+/- 3.0
Curb to Curb Diameter (ft)	83.1	73.4	+/- 3.0
Turning Radius (ft)	40.8	36.0	+/- 1.5

VEHICLE SPECIFICATIONS SUMMARY - TURNING RADIUS

Model 4700SB
 Cab Size (829) 110 INCH BBC STEEL CONVENTIONAL CAB
 Wheelbase (545) 6400MM (252 INCH) WHEELBASE
 Front Tires (093) MICHELIN XZY-3 425/65R22.5 20 PLY RADIAL FRONT TIRES
 Width (in) 17.7
 Front Axle (400) DETROIT DA-F-20.0-5 20,000# FL1 71.0 KPI/3.74 DROP SINGLE FRONT AXLE
 Kingpin Intersection (in) 71
 Bumper (556) OMIT FRONT BUMPER, CUSTOMER INSTALLED SPECIAL BUMPER, DOES NOT COMPLY WITH FMCSR 393.203
 Width (in) 96
 Bumper Miter to Front Axle (in) 95.201
 Primary Steering Location (003) LH PRIMARY STEERING LOCATION
 Steering Gear (536) TRW THP-60 POWER STEERING WITH RCH45 AUXILIARY GEAR
 Dual Steering Gear RCH45
 Ram NONE
 Rear Axle (420) MT-40-14X 40,000# R-SERIES TANDEM REAR AXLE
 Axle Spacing (624) 54 INCH AXLE SPACING

Performance calculations are estimates only. If performance calculations are critical, please contact Customer Application Engineering.

Prepared for:
Larry Daub
Super Products Alamo Group
17000 W Cleveland
New Berlin, WI 53151
Phone: 2627847100

Prepared by:
Tony Bodway
TRUCK COUNTRY OF
WISCONSIN
9202 N. 107TH STREET
MILWAUKEE, WI 53224
Phone: 414-761-3384